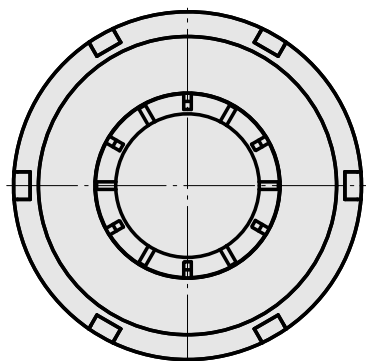
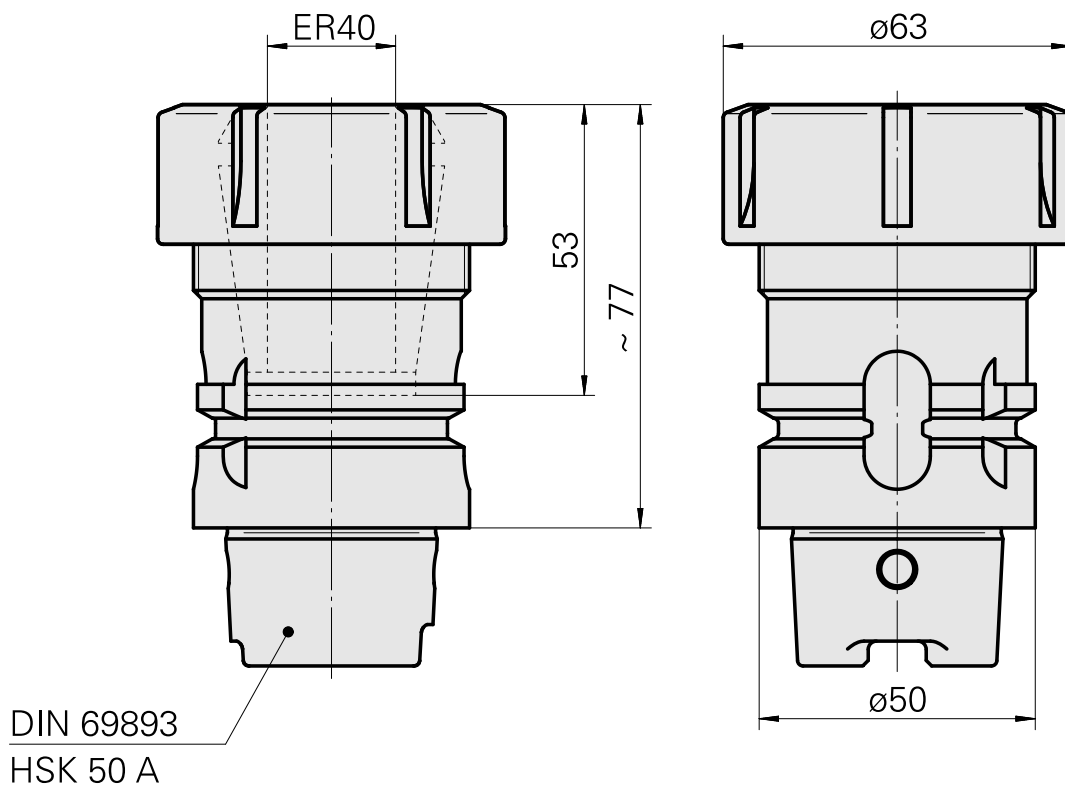
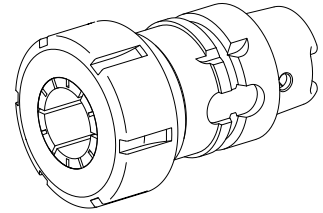


Drilling tool holder HSK 50 A ER40

Technical data

Shank HSK	HSK 50
Form HSK	A
Mounting	ER40
Cooling	internal
Pressure	40 bar
X [mm]	94.5 (3.72")
INDEX TRAUB products	G250



Documents

No downloads available for this product

Accessories

Required for operation

[Spanner](#)

Product ID : 10474438

Previous product ID : 490219.0401

TH accessories category Tool	Mounting ER40	Collet type ER 40	Clamping nut type Female thread
Tools for Collet chucks Clamping nut wrench			

[Socket wrench](#)

Product ID : 11033867

Previous product ID : WS7600.0010

TH accessories category Tool for KSS adapter	Mounting HSK 50 C
---	----------------------

Optional accessories

Tool holder accessories

[Clamping nut](#)

Product ID : 11029703

Previous product ID : 901939.0401

TH accessories category Clamping nut	Mounting ER40	Collet type ER 40	Clamping nut type Female thread
---	------------------	----------------------	------------------------------------

[Coolant adapter kit](#)

Product ID : 10851451

Previous product ID : WS7600.0020

TH accessories
category
Cooling lubricant
transfer set

Mounting
HSK 50 C

Other accessories

[Clamping collet](#)

Product ID : 10146045

Previous product ID : 901930.4---
