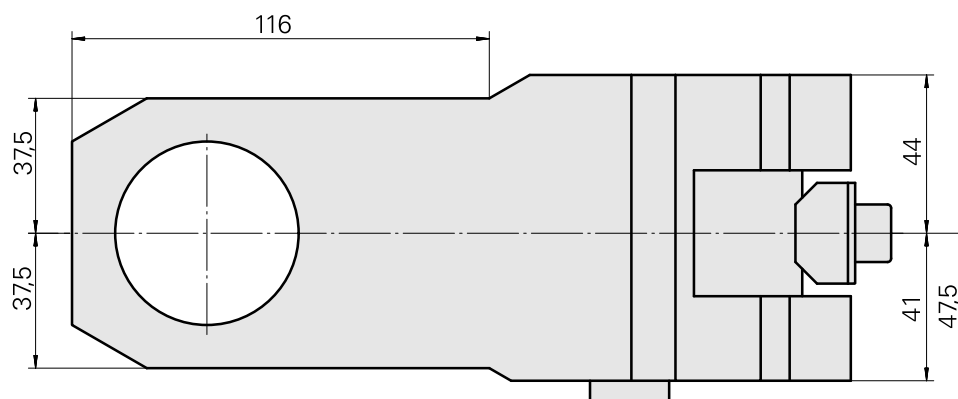
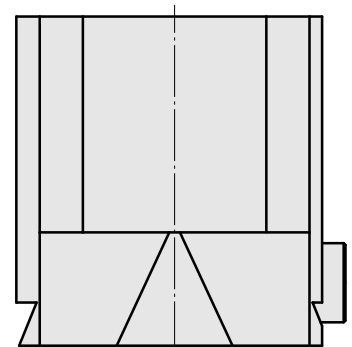
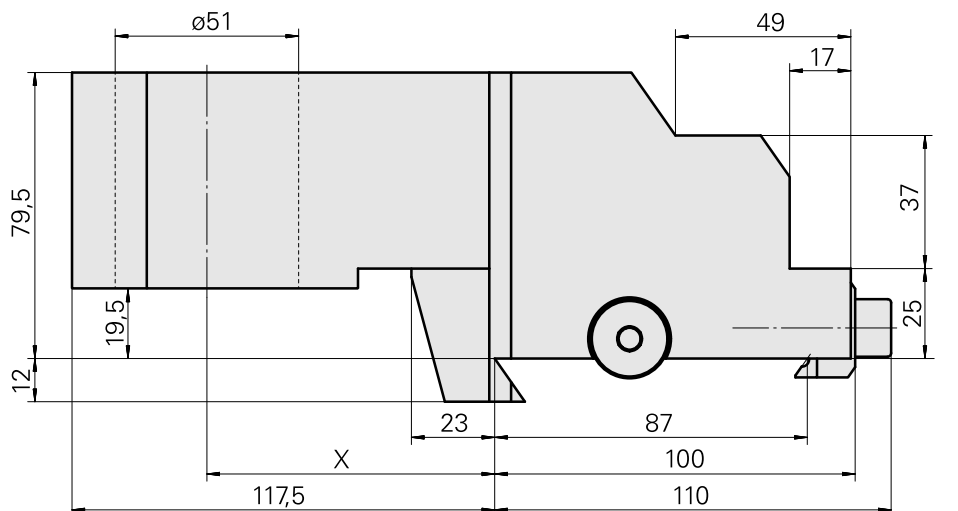
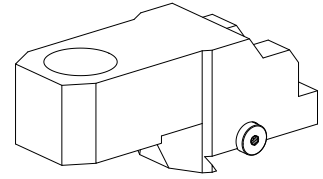


## Drilling tool and stop holder

### Technical data

<b>Slide system MS</b>	MS32/MS40
<b>Drive</b>	not live
<b>Fixation MS</b>	Dovetail
<b>Mounting</b>	Hydraulic expansion chuck D51
<b>X [mm]</b>	80 (3.15")
<b>Y [mm]</b>	–
<b>Z [mm]</b>	79.5 (3.13)
<b>INDEX TRAUB products</b>	MS32C • MS32-6.2 • MS40-6 • MS40-8 • MS32-6.3



X	80
---	----

---

## Documents

### Product notes

[DE \(pdf\)](#)

[EN \(pdf\)](#)

[FR \(pdf\)](#)

## Accessories

### Optional accessories

#### Tool holder accessories

#### [Reductions Hydraulic Expansion D51/ D36](#)

Product ID : 10455757

Previous product ID : W95281.1550

TH accessories  
category  
Reductions Hydraulic  
Expansion

Mounting  
D51

Tool mounting  
D36

#### Other accessories

#### [Not defined Standard MS52](#)

Product ID : 10397970

Previous product ID : WM3700.3110F

---