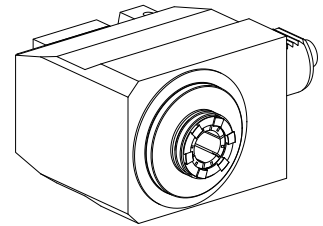


Milling unit VDI 40 1:1 ER32

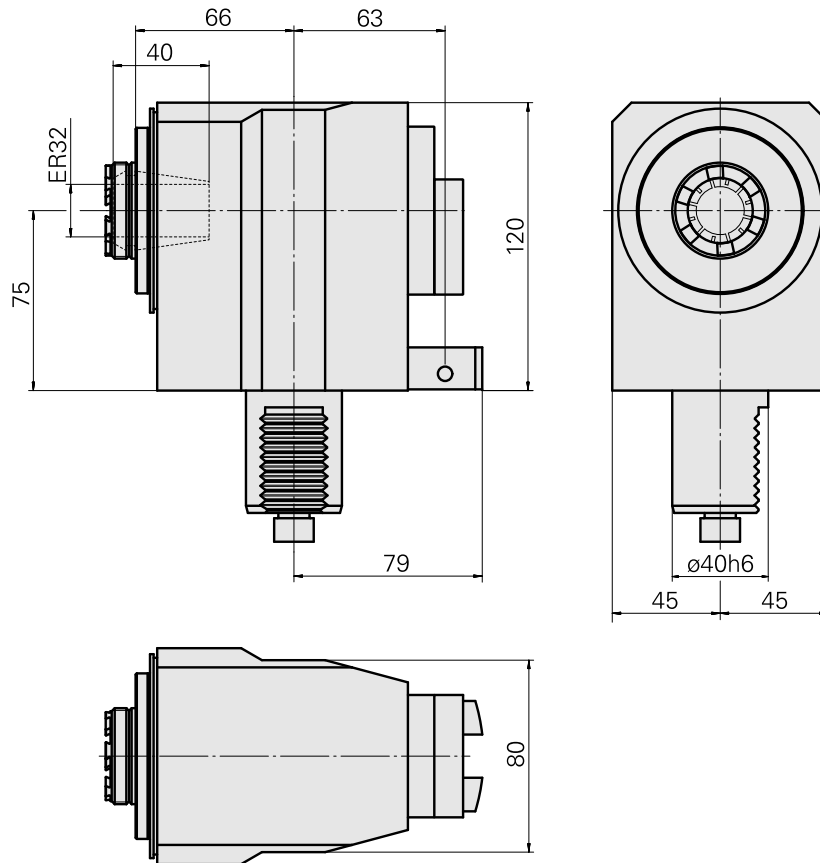
Technical data

Shank VDI	VDI 40
Drive	Spline shaft B17x14
Fixation VDI	Aligning system
Speed ratio	1:1
Cooling	internal, external optional
Pressure	40 bar
Mounting	ER32
reversible 180°	no
Direction	same as drive direction
X [mm]	75 (2.95")
Y [mm]	–
Z [mm]	66 (2.60)
INDEX TRAUB products	TNA400



Note

No dry-run permitted!



Documents

No downloads available for this product

Accessories

Required for operation

[Spanner](#)

Product ID : 10174063

Previous product ID : 325767

TH accessories category Tool	Mounting ER32	Collet type ER 32	Clamping nut type Male thread
Tools for Collet chucks Clamping nut wrench			

Optional accessories

Tool holder accessories

[Coolant tube, L=100 mm \(3.93"\)](#)

Product ID : 10309869

Previous product ID : W9990658

TH accessories category Cooling lubricant tube	Mounting D6
---	----------------

[Clamping nut](#)

Product ID : 10322936

Previous product ID : 325950

TH accessories category Clamping nut	Mounting ER32	Collet type ER 32	Clamping nut type Male thread
---	------------------	----------------------	----------------------------------

Other accessories

10517805
W1465001

INDEX

[Clamping collet](#)

Product ID : 10187712
Previous product ID : 901930.6---

[tapping tool collet ET-1-32](#)

Product ID : 10640099
Previous product ID : 3242--

[tapping tool collet](#)

Product ID : 10601144
Previous product ID : WZ9990.9509F

[Collet chuck](#)

Product ID : 10659178
Previous product ID : W999068-

[Screw cap](#)

Product ID : 10737191
Previous product ID : 471513.06
