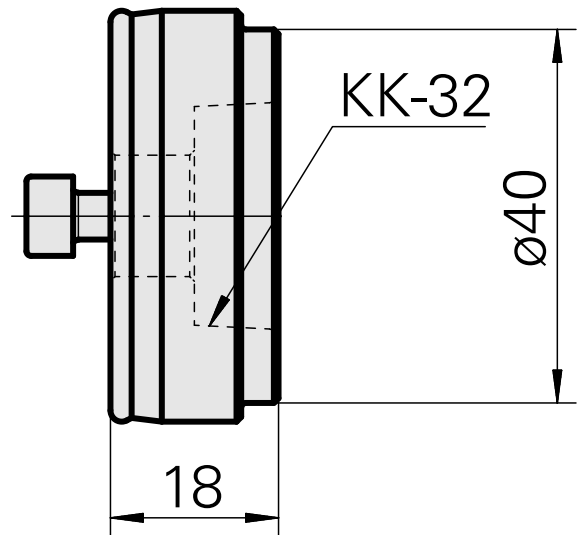
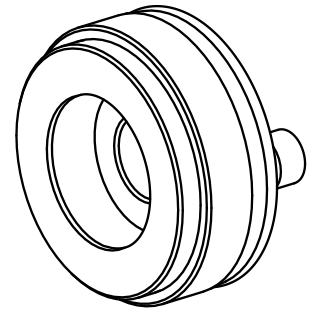


Base element, for presetting unit

Technical data

TH accessories category

Adapter pin KK-32



Documents

No downloads available for this product