

## Blanking plug HSK 40 A

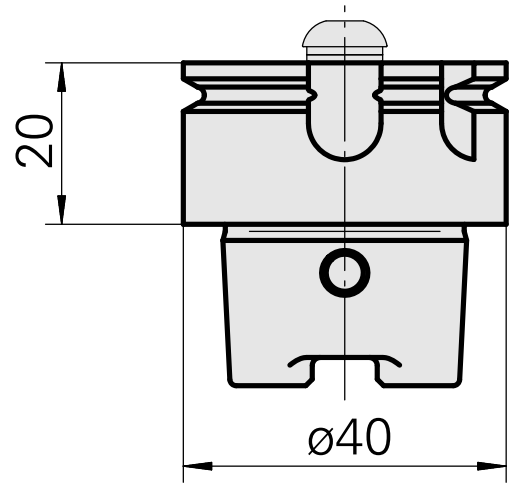
### Technical data

Shank HSK	HSK 40
Form HSK	A
X [mm]	20 (0.79")
INDEX TRAUB products	G160 • V100 • G200.2 • G220 • R200 • G220.3 • TNX220.3



### Note

No rotation permitted!



DIN 69893  
HSK 40 A



---

## Documents

No downloads available for this product

## Accessories

### Optional accessories

#### Tool holder accessories

#### [Coolant adapter kit](#)

Product ID : 10581780

Previous product ID : WS7400.0020

TH accessories  
category  
Cooling lubricant  
transfer set

Mounting  
HSK 40 A/C

#### [Socket wrench](#)

Product ID : 10532354

Previous product ID : WS7400.0010

TH accessories  
category  
Tool for KSS adapter

Mounting  
HSK 40 A/C

#### Other accessories

#### [Threaded bolt](#)

Product ID : 10844028

Previous product ID : WS7400.0004

---