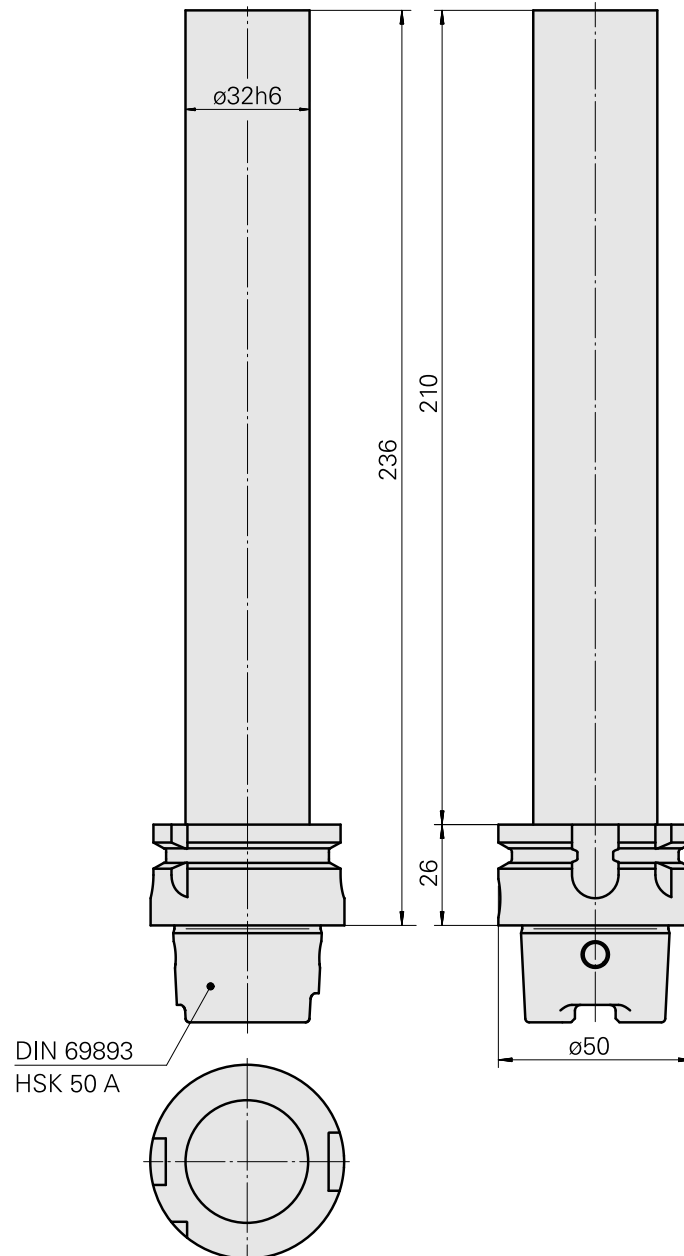
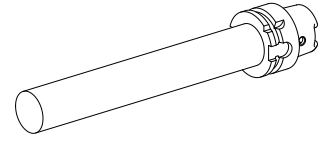


## Calibrating tool HSK 50 A

### Technical data

Shank HSK	HSK 50
Form HSK	A
X [mm]	346 (13.62")
INDEX TRAUB products	G250



---

## Documents

No downloads available for this product

## Accessories

Optional accessories

**Tool holder accessories**

[Coolant adapter kit](#)

Product ID : 10851451

Previous product ID : WS7600.0020

TH accessories  
category  
Cooling lubricant  
transfer set

Mounting  
HSK 50 C