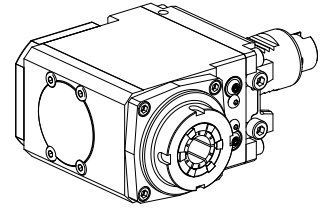


Milling unit VDI 40 2:1 ER32

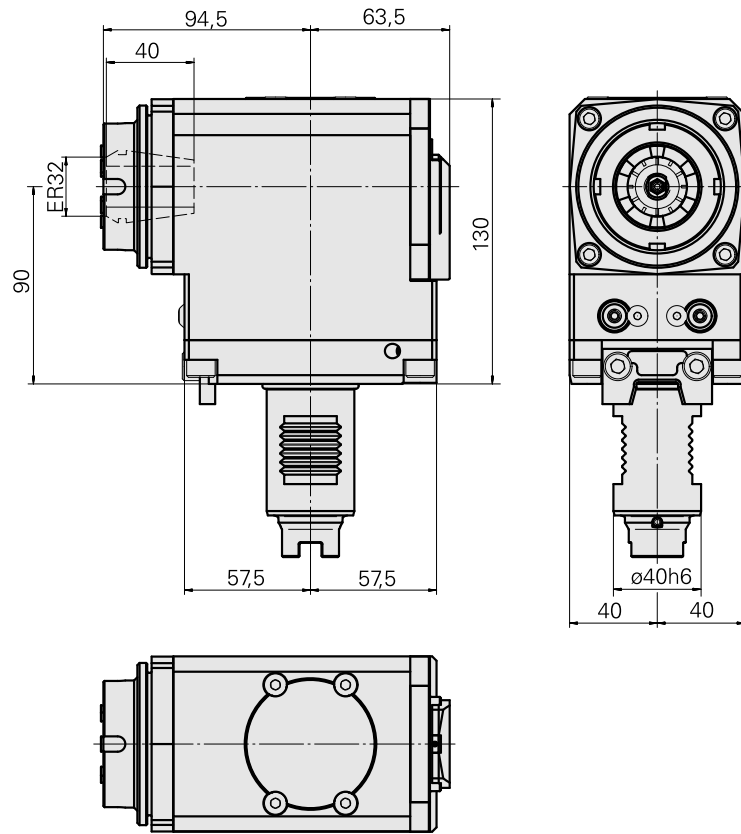
Technical data

Shank VDI	VDI 40
Drive	Dog clutch
Fixation VDI	Vee bar
Speed ratio	2:1
Cooling	external, internal optional
Pressure	20 bar
Mounting	ER32
reversible 180°	yes
Direction	same as drive direction
X [mm]	90 (3.54")
Y [mm]	–
Z [mm]	94.5 (3.72)
INDEX TRAUB products	G250



Note

No dry run permitted with internal cooling! When used on the YB turret, a collision check must be carried out!



Documents

No downloads available for this product

Accessories

Required for operation

[Spanner](#)

Product ID : 10174063

Previous product ID : 325767

TH accessories category Tool	Mounting ER32	Collet type ER 32	Clamping nut type Male thread
Tools for Collet chucks Clamping nut wrench			

[Hook wrench](#)

Product ID : 10567017

Previous product ID : 490340.0590

TH accessories category Tool	Clamping nut type Outside diameter 55-62 mm	Tools for Collet chucks Hook wrench
---------------------------------	---	--

Optional accessories

Tool holder accessories

[Clamping nut](#)

Product ID : 10322936

Previous product ID : 325950

TH accessories category Clamping nut	Mounting ER32	Collet type ER 32	Clamping nut type Male thread
---	------------------	----------------------	----------------------------------

Other accessories

[Clamping collet](#)

Product ID : 10187712
Previous product ID : 901930.6---

[tapping tool collet ET-1-32](#)

Product ID : 10640099
Previous product ID : 3242--

[Collet chuck](#)

Product ID : 10659178
Previous product ID : W999068-

[tapping tool collet](#)

Product ID : 10601144
Previous product ID : WZ9990.9509F

[Coolant Supply](#)

Product ID : 10089670
Previous product ID : W9990089

[SPRAY NOZZLE 14D/M6](#)

Product ID : 10358770
Previous product ID : 474550.0121

[Lens head screw](#)

Product ID : 10864070
Previous product ID : 410243.0506
