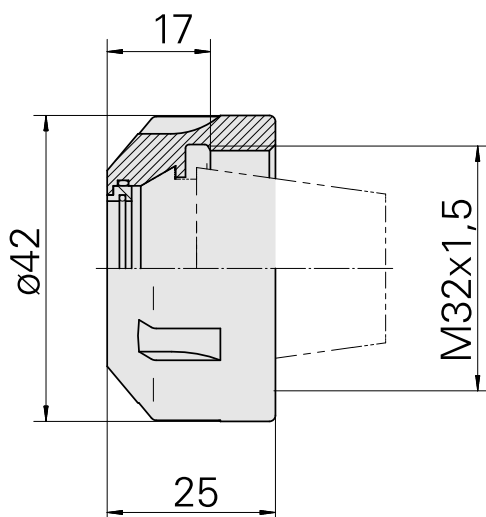
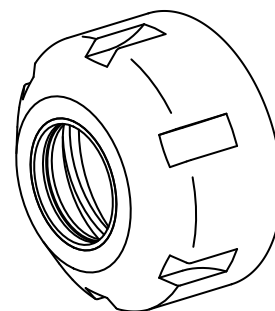


## Clamping nut, for internal cooling lubricant supply

### Technical data

TH accessories category	Clamping nut
Mounting	ER25
Collet type	ER 25
Clamping nut type	Female thread



10464259  
901939.3251

**INDEX**

---

## **Documents**

No downloads available for this product