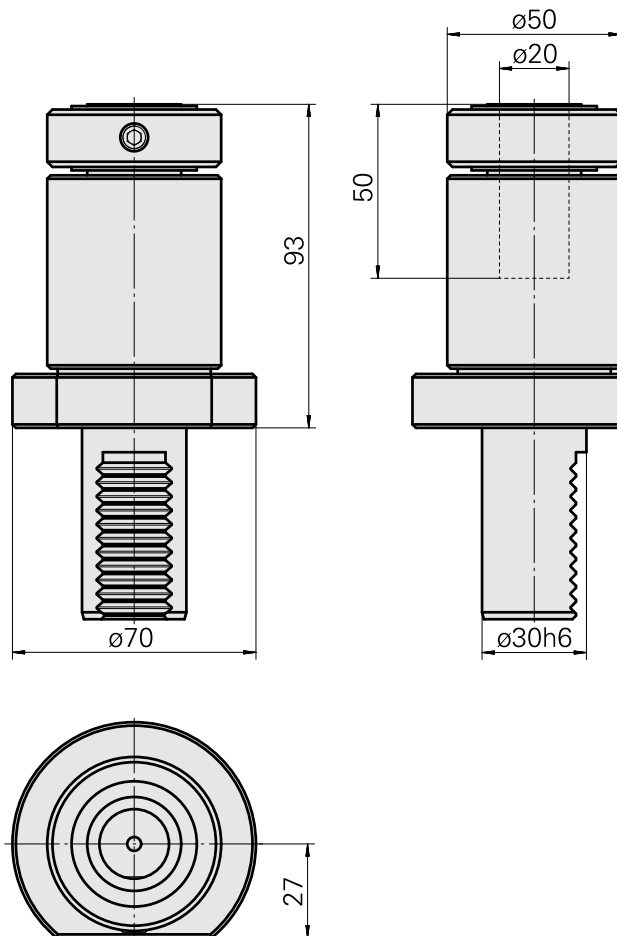
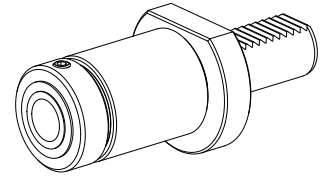


Reaming tool holder VDI 30 D20 (0.79 "), self-centering

Technical data

Shank VDI	VDI 30
Drive	not live
Fixation VDI	none
Cooling	internal
Pressure	40 bar
Mounting	D20
reversible 180°	no
Data carrier	check tool station bore
X [mm]	93 (3.66")
Y [mm]	-
Z [mm]	-
INDEX TRAUB products	V100 • V200 • V160C • V160G • V300



Documents

No downloads available for this product

Accessories

Optional accessories

Other accessories

[Mounting sleeve with collar D20](#)

Product ID : 10063939

Previous product ID : W68510.04--
