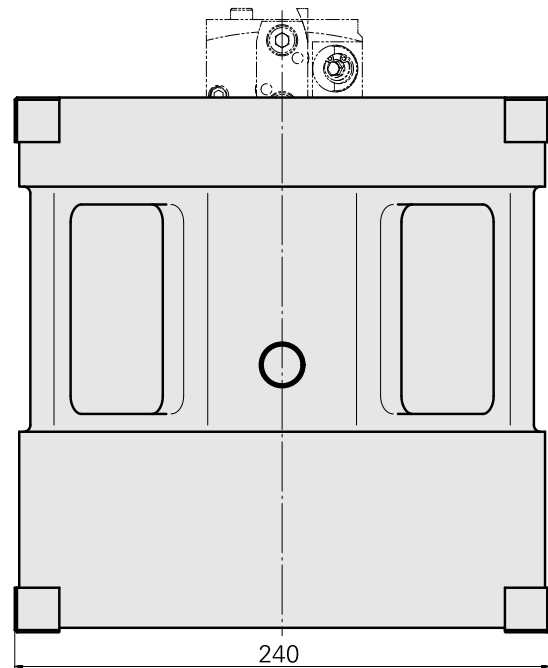
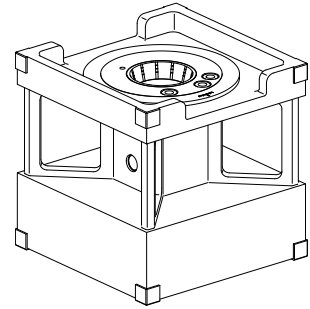


## Block

### Technical data

TH accessories category

Pre-adjustment block



## Documents

### Product notes

[DE \(pdf\)](#)

[EN \(pdf\)](#)

[FR \(pdf\)](#)

## Accessories

### Optional accessories

#### Tool holder accessories

#### [Mount TNL18/TNL20/TNL32 compact/TNK40.2](#)

Product ID : 11008063

Previous product ID : W9990195

TH accessories  
category  
Adapter pre-  
adjustment block

Tool mounting  
Compact shank 45/  
Shank 36 • Compact  
shank 45/Shank 36

INDEX TRAUB products  
TNL32 compact •  
TNL20 • TNL18 •  
TNK40.2

#### [Mount TNL32/TNK42](#)

Product ID : 10826369

Previous product ID : W9990505

TH accessories  
category  
Adapter pre-  
adjustment block

Tool mounting  
Compact shank 45/  
Shank 36

INDEX TRAUB products  
TNL32

#### [Mount](#)

Product ID : 10655070

Previous product ID : W9990497

TH accessories  
category  
Adapter pre-  
adjustment block

Tool mounting  
HSK 40

## Mount

Product ID : 10785347

Previous product ID : W9990498

TH accessories  
category  
Adapter pre-  
adjustment block

Tool mounting  
HSK 50

## Mount HSK63

Product ID : 10643359

Previous product ID : W9990499

TH accessories  
category  
Adapter pre-  
adjustment block

Tool mounting  
HSK 63

## Presetting device /INDEX CAPTO C3

Product ID : 10657991

Previous product ID : W9990998

TH accessories  
category  
Adapter pre-  
adjustment block

Tool mounting  
CAPTO C3

## Adaptor

Product ID : 12166212

Previous product ID :

TH accessories  
category  
Adapter pre-  
adjustment block

Tool mounting  
CAPTO C6

## Mount VDI20

Product ID : 10364694

Previous product ID : W9990191

TH accessories  
category  
Adapter pre-  
adjustment block

Tool mounting  
VDI 20

---

### Mount VDI25

Product ID : 10491250

Previous product ID : W9990192

TH accessories  
category  
**Adapter pre-  
adjustment block**

Tool mounting  
VDI 25

### Mount VDI30

Product ID : 10300226

Previous product ID : W9990193

TH accessories  
category  
**Adapter pre-  
adjustment block**

Tool mounting  
VDI 30

### Mount VDI40

Product ID : 10946082

Previous product ID : W9990194

TH accessories  
category  
**Adapter pre-  
adjustment block**

Tool mounting  
VDI 40