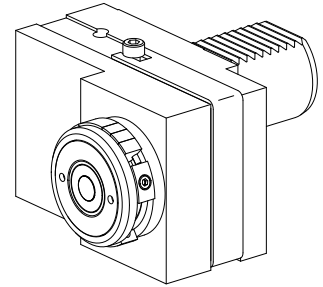


Embossing roll holder VDI 40

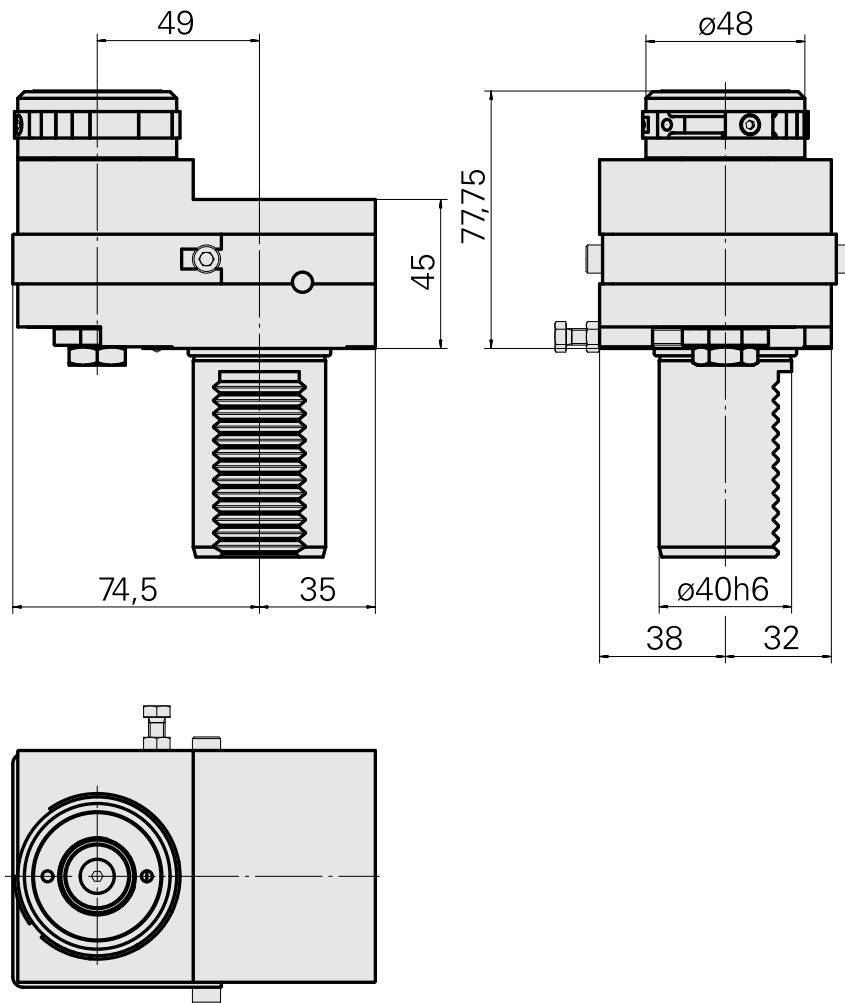
Technical data

Shank VDI	VDI 40
Drive	not live
Fixation VDI	none
reversable 180°	no
X [mm]	75 (2.95")
Y [mm]	–
Z [mm]	67.5 (2.66)
INDEX TRAUB products	G300 • G400 • V200 • G250 • V160C • V160G • V300 • TNA400 • B400 • B500 • TNA500.2 • TNA400.2 • TNA400.3 • B400.3 • B500.3 • TNA500.3



Note

Cooling lubricant supply unit required!



Documents

No downloads available for this product

Accessories

Optional accessories

Tool holder accessories

[Embossing roller, D50 mm \(1.96"\)](#)

Product ID : 10609077

Previous product ID : W63380.0030

TH accessories
category
Embossing roller

[Embossing roller, D60 mm \(2.36"\)](#)

Product ID : 10446615

Previous product ID : W63380.0060

TH accessories
category
Embossing roller