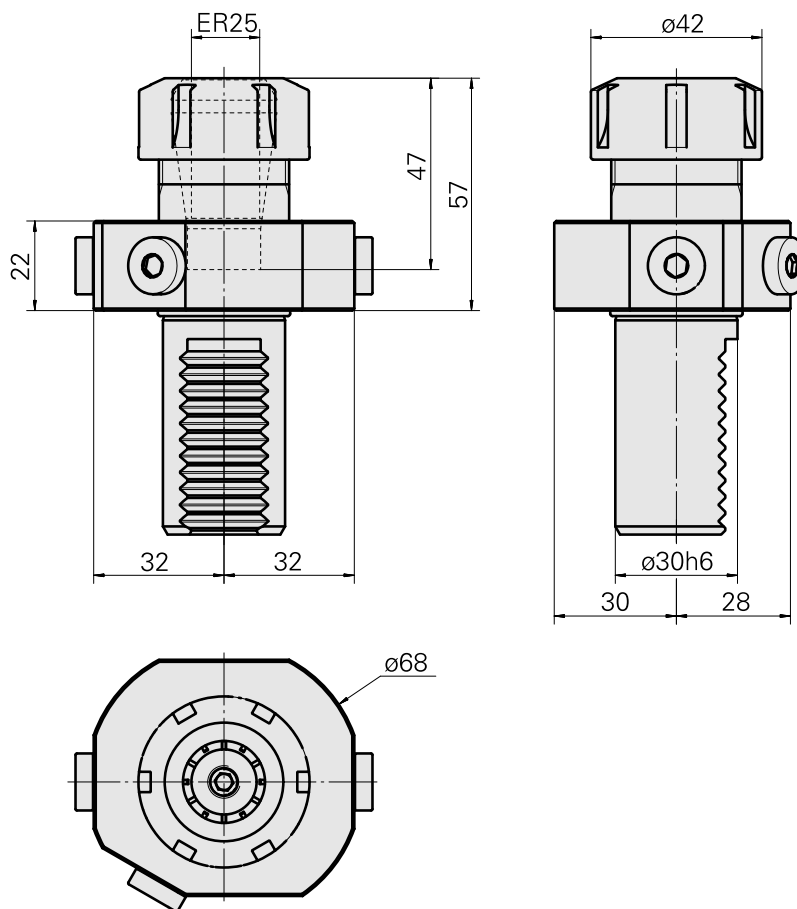
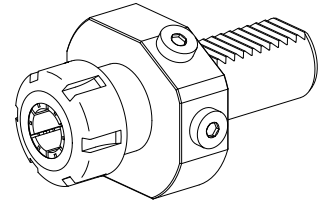


## Drilling tool holder VDI 30 ER25, Form E4

### Technical data

<b>Shank VDI</b>	VDI 30
<b>Drive</b>	not live
<b>Fixation VDI</b>	none
<b>Cooling</b>	internal
<b>Pressure</b>	80 bar
<b>Mounting</b>	ER25
<b>reversible 180°</b>	no
<b>Data carrier</b>	check tool station bore
<b>X [mm]</b>	68 (2.68")
<b>Y [mm]</b>	-
<b>Z [mm]</b>	-
<b>INDEX TRAUB products</b>	IT600 • V100 • V200 • V160C • V160G • V300 • TNA300



---

## Documents

No downloads available for this product

## Accessories

Required for operation

### [Spanner](#)

Product ID : 10802433

Previous product ID : 490219.0251

TH accessories category Tool	Mounting ER25	Collet type ER 25	Clamping nut type Female thread
Tools for Collet chucks Clamping nut wrench			

### Optional accessories

#### Tool holder accessories

### [Clamping nut](#)

Product ID : 10193990

Previous product ID : 901939.0251

TH accessories category Clamping nut	Mounting ER25	Collet type ER 25	Clamping nut type Female thread
---	------------------	----------------------	------------------------------------

#### Other accessories

### [Clamping collet](#)

Product ID : 10206464

Previous product ID : 901930.3---

---

### [tapping tool collet ET-1-25](#)

Product ID : 10191234

Previous product ID : 3224--

---

10424888  
W1300025

**INDEX**

---

[tapping tool collet](#)

Product ID : 10256515  
Previous product ID : WZ9990.9507F

---

[Collet chuck](#)

Product ID : 10029756  
Previous product ID : W999067-

---

[Clamping collet, sealed](#)

Product ID : 10698406  
Previous product ID : W999085-

---