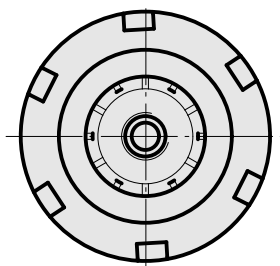
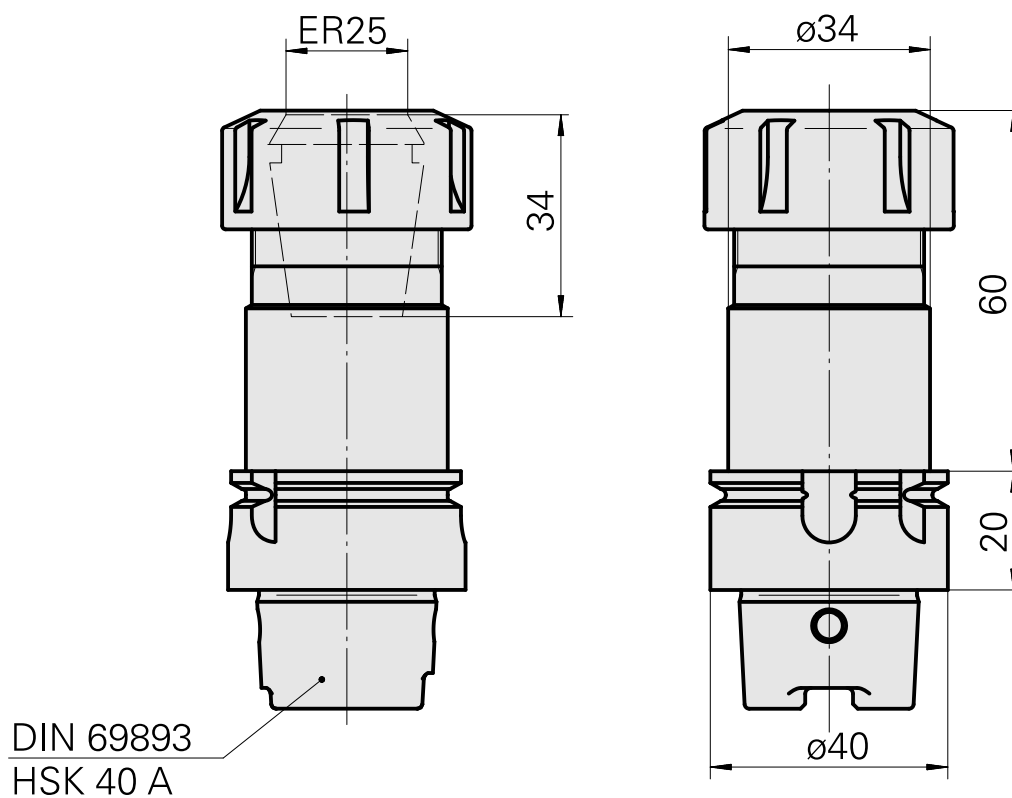
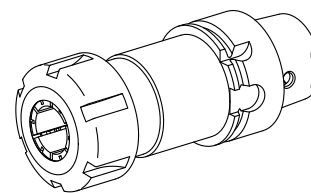


## Drilling tool holder HSK 40 A ER25

### Technical data

Shank HSK	HSK 40
Form HSK	A
Mounting	ER25
Cooling	internal
Pressure	80 bar
X [mm]	80 (3.15")
INDEX TRAUB products	G200.2 • R200 • TNX65/42 • G220.3 • TNX220.3



## Documents

No downloads available for this product

## Accessories

Required for operation

### [Socket wrench](#)

Product ID : 10532354

Previous product ID : WS7400.0010

TH accessories  
category  
Tool for KSS adapter

Mounting  
HSK 40 A/C

### [Spanner](#)

Product ID : 10802433

Previous product ID : 490219.0251

TH accessories  
category  
Tool

Mounting  
ER25

Collet type  
ER 25

Clamping nut type  
Female thread

Tools for Collet chucks  
Clamping nut wrench

## Optional accessories

### Tool holder accessories

### [Clamping nut](#)

Product ID : 10193990

Previous product ID : 901939.0251

TH accessories  
category  
Clamping nut

Mounting  
ER25

Collet type  
ER 25

Clamping nut type  
Female thread

---

### [Coolant adapter kit](#)

Product ID : 10581780  
Previous product ID : WS7400.0020

TH accessories category Cooling lubricant transfer set	Mounting HSK 40 A/C
---	------------------------

### [Coolant supply, max. 120 bar](#)

Product ID : 12024083  
Previous product ID :

TH accessories category Cooling lubricant transfer set	Mounting HSK 40 A/C
---	------------------------

### **Other accessories**

#### [Clamping collet](#)

Product ID : 10206464  
Previous product ID : 901930.3---

---

#### [tapping tool collet ET-1-25](#)

Product ID : 10191234  
Previous product ID : 3224--

---

#### [Clamping collet, sealed](#)

Product ID : 10698406  
Previous product ID : W999085-

---

#### [tapping tool collet](#)

Product ID : 10256515  
Previous product ID : WZ9990.9507F

---

#### [Collet chuck](#)

Product ID : 10029756  
Previous product ID : W999067-

---