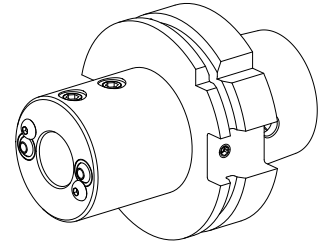


---

## Drilling tool holder HSK 80 B D20 (0.79)

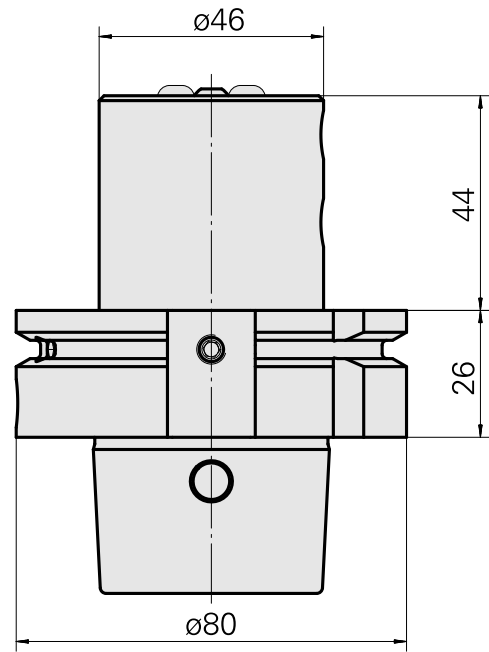
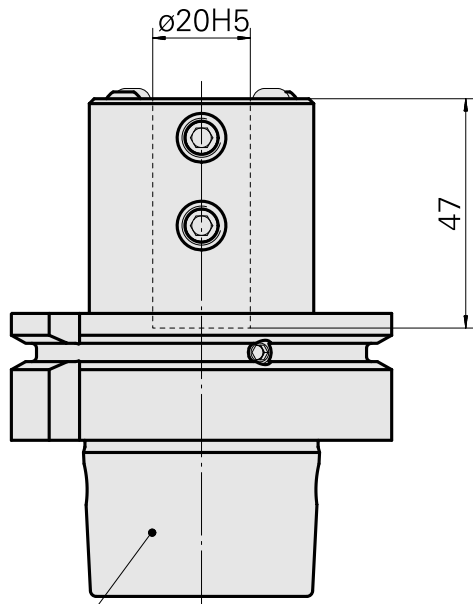
### Technical data

<b>Shank HSK</b>	HSK 80
<b>Form HSK</b>	B
<b>Mounting</b>	D20
<b>Cooling</b>	external
<b>Pressure</b>	40 bar
<b>X [mm]</b>	70 (2.76")
<b>INDEX TRAUB products</b>	G400

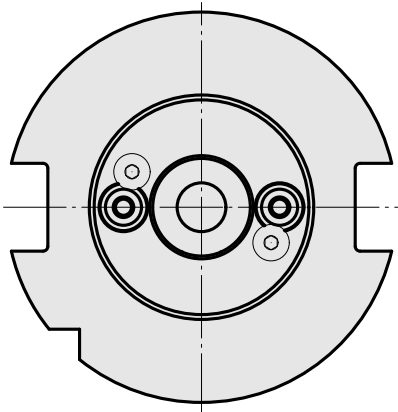


### Note

Form B - cooling lubricant is supplied via the collar!



DIN 69893  
HSK 80 B



## **Documents**

No downloads available for this product

## **Accessories**

Optional accessories

### **Other accessories**

[Mounting sleeve with collar D20](#)

Product ID : 10063939

Previous product ID : W68510.04--

---