

## INDEX CAPTO C3 ER16

### Technical data

TH accessories category

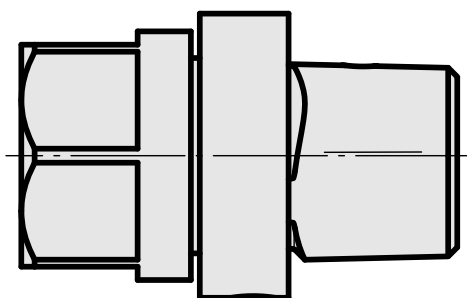
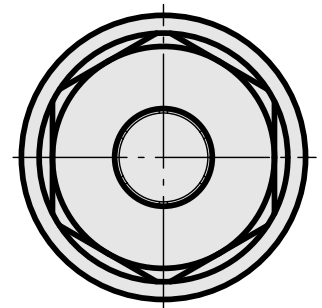
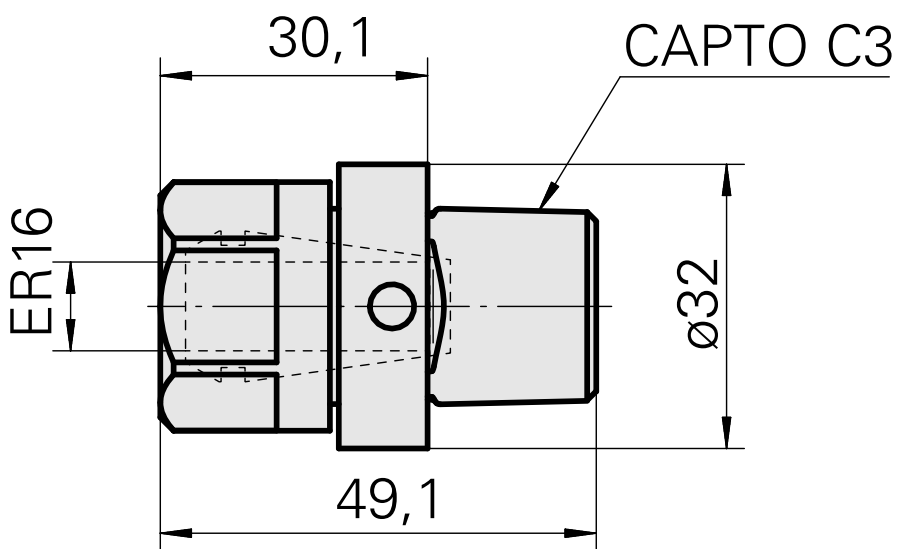
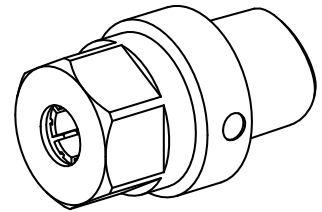
INDEX CAPTO C3

Mounting

ER16

Quick change inserts

collet mounting



---

## Documents

No downloads available for this product

## Accessories

Required for operation

### [Spanner](#)

Product ID : 10966369

Previous product ID : 490219.0161

刀座附件类别 用于夹头的工具	夹具 ER16	夹头型号 ER 16	紧固螺母型号 内螺纹
夹头工具 紧固螺母扳手			

## Optional accessories

### Tool holder accessories

#### [Clamping nut](#)

Product ID : 10378189

Previous product ID : 901939.01

TH accessories category Clamping nut	Mounting ER16	Collet type ER 16	Clamping nut type Female thread
--	------------------	----------------------	------------------------------------

### Other accessories

#### [Clamping collet](#)

Product ID : 10834596

Previous product ID : 901930.1---

---

#### [Clamping collet](#)

Product ID : 10589709

Previous product ID : W99903--

---

---

[tapping tool collet ET-1-16](#)

Product ID : 10542491  
Previous product ID : 3230--

---

[tapping tool collet](#)

Product ID : 10865233  
Previous product ID : WZ9990.9506F

---

[Collet chuck](#)

Product ID : 10870393  
Previous product ID : W999065-

---

[Clamping collet, sealed](#)

Product ID : 10433061  
Previous product ID : W999083-

---