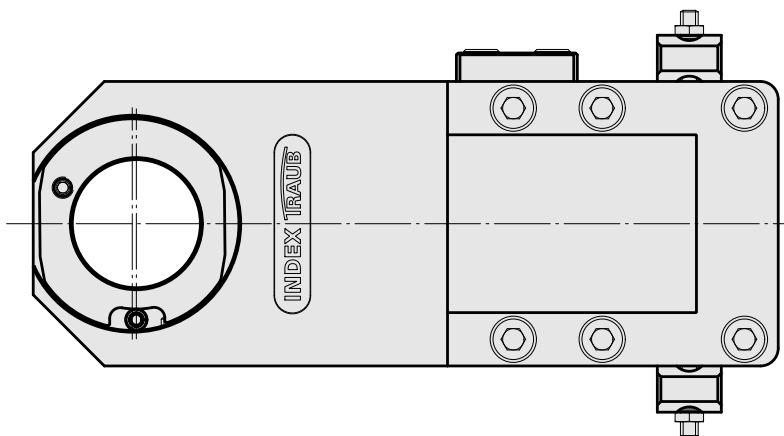
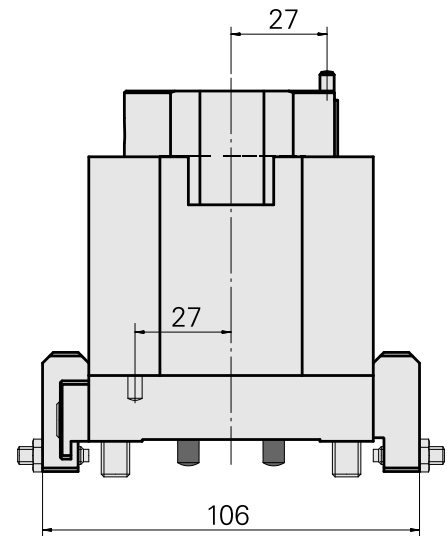
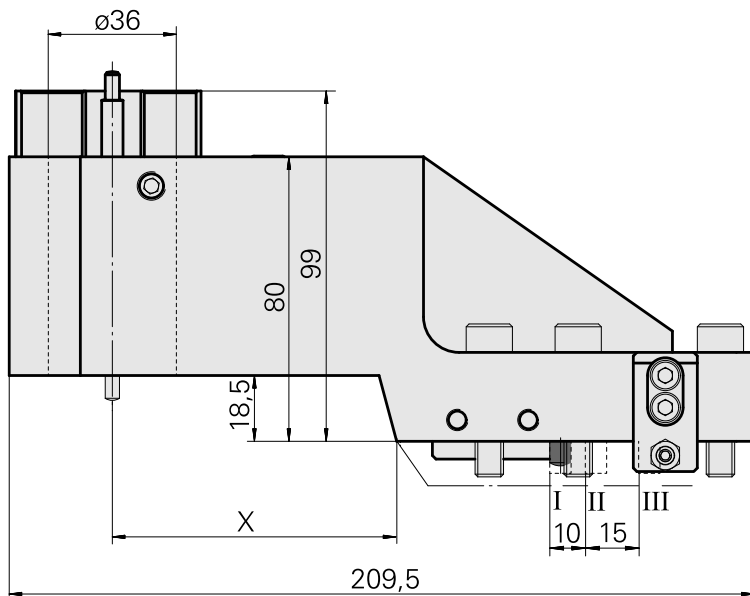
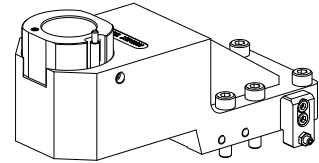


Basic holder MS32/MS40 Hydraulic expansi

Technical data

Slide system MS	MS32/MS40
Drive	not live
Fixation MS	Splined key/pin
Mounting	Hydraulic expansion chuck D36
X [mm]	80 (3.15")
Y [mm]	–
Z [mm]	18.5 (0.73)
INDEX TRAUB products	MS32C • MS32-6.2 • MS40-6 • MS40-8 • MS32-6.3



	I	II	III
X	80	70	55

Documents

Product notes

[DE \(pdf\)](#)

[EN \(pdf\)](#)

[FR \(pdf\)](#)

[FR \(pdf\)](#)

[EN \(pdf\)](#)

[DE \(pdf\)](#)

Accessories

Optional accessories

MS tool holders

[Blanking plug](#)

Product ID : 12013852

Previous product ID :

Drive not live	Fixation MS Clamping ring D36	X [mm] -	Y [mm] -
Z [mm] -			

Other accessories

[Eccentric bush](#)

Product ID : 11066776

Previous product ID : W9990513

[Not defined Standard MS32](#)

Product ID : 10536748

Previous product ID : WM3600.3100F
