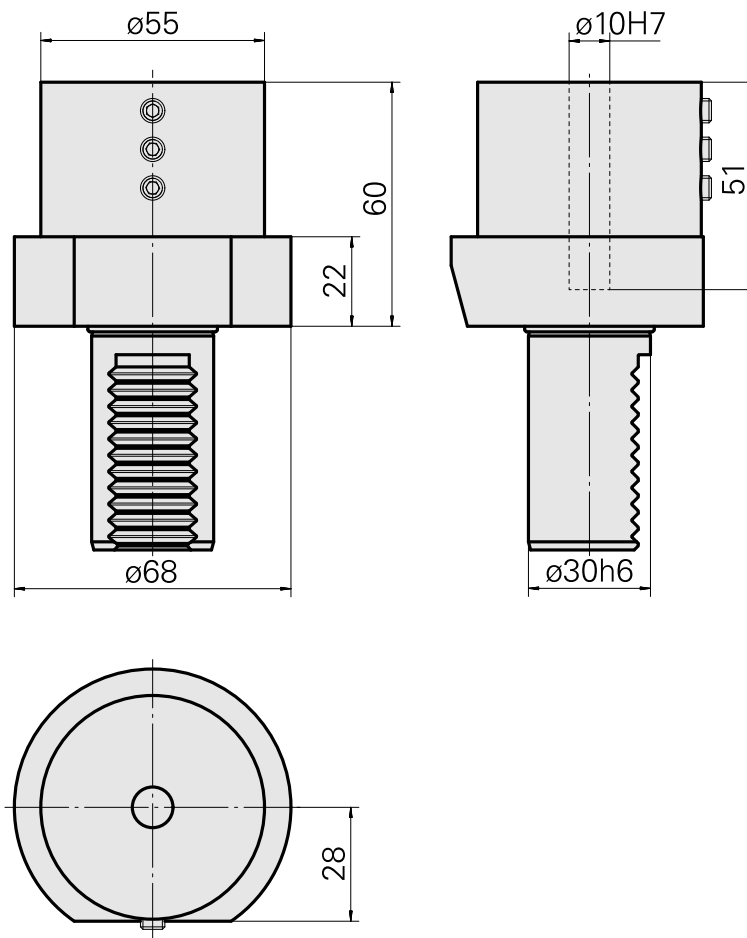
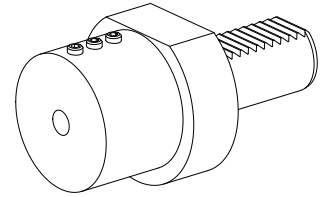


Drilling tool holder VDI 30 D10, Form E2

Technical data

Shank VDI	VDI 30
Drive	not live
Fixation VDI	none
Cooling	external and internal
Pressure	20 bar
Mounting	D10
reversible 180°	no
Data carrier	check tool station bore
X [mm]	60 (2.36")
Y [mm]	-
Z [mm]	-
INDEX TRAUB products	V100 • V200 • V160C • V160G • V300 • TNA300



Documents

No downloads available for this product