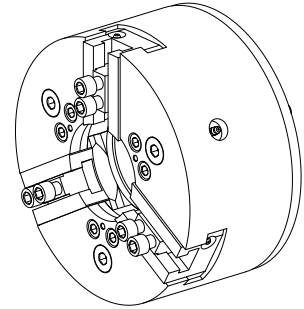


3-jaw chuck

Technical data

Spindle clearance	102mm
Machining side	Main spindle
manufacturer product line	
Spindle mounting	KK 8
manufacturer product line	Roehm



No 3-side view is currently available for this product

10355033
908127.5221

INDEX

Documents

No downloads available for this product