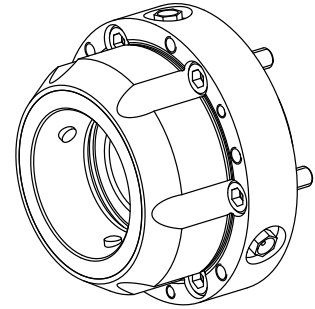


## Chuck

### Technical data

|                                       |                     |
|---------------------------------------|---------------------|
| <b>INDEX TRAUB products</b>           | MS16-6 Plus         |
| <b>Spindle clearance</b>              | 22mm                |
| <b>Machining side</b>                 | Synchronous spindle |
| <b>Ext. manufact. product feature</b> | Kombi Axfix         |
| <b>manufacturer product line</b>      | SPANNTOP nova chuck |
| <b>Spindle mounting</b>               | AP63                |
| <b>Clamping device size</b>           | SK9022              |
| <b>manufacturer product line</b>      | Hainbuch            |



No 3-side view is currently available for this product

## Documents

No downloads available for this product

## Accessories

### Optional accessories

#### Collets and guide bushings

##### [Clamping head SK9022 D=5,00mm](#)

Product ID : 10357249

Previous product ID : 900423.G050

|                                      |   |  |  |
|--------------------------------------|---|--|--|
| Clamping device size<br>SK9022       | manufacturer product<br>line<br>SPANNTOP nova chuck | Clamping type<br>smooth                  | Nominal diameter<br>(mm)<br>5 Millimeter |
| Clamping method<br>External clamping | Clamping head front<br>nose<br>without              | manufacturer product<br>line<br>Hainbuch |  |

##### [Clamping head SK9022 D=6,00mm](#)

Product ID : 11042319

Previous product ID : 900423.G060

|                                      |   |  |  |
|--------------------------------------|---|--|--|
| Clamping device size<br>SK9022       | manufacturer product<br>line<br>SPANNTOP nova chuck | Clamping type<br>smooth                  | Nominal diameter<br>(mm)<br>6 Millimeter |
| Clamping method<br>External clamping | Clamping head front<br>nose<br>without              | manufacturer product<br>line<br>Hainbuch |  |

##### [Clamping head SK9022 D=7,00mm](#)

Product ID : 10804208

Previous product ID : 900423.G070

|                                      |   |  |  |
|--------------------------------------|---|--|--|
| Clamping device size<br>SK9022       | manufacturer product<br>line<br>SPANNTOP nova chuck | Clamping type<br>smooth                  | Nominal diameter<br>(mm)<br>7 Millimeter |
| Clamping method<br>External clamping | Clamping head front<br>nose<br>without              | manufacturer product<br>line<br>Hainbuch |  |

### Clamping head SK9022 D=8,00mm

Product ID : 10501597

Previous product ID : 900423.G080

|                                      |   |  |  |
|--------------------------------------|---|--|--|
| Clamping device size<br>SK9022       | manufacturer product<br>line<br>SPANNTOP nova chuck | Clamping type<br>smooth                  | Nominal diameter<br>(mm)<br>8 Millimeter |
| Clamping method<br>External clamping | Clamping head front<br>nose<br>without              | manufacturer product<br>line<br>Hainbuch |  |

### Clamping head SK9022 D=10,00mm

Product ID : 10527236

Previous product ID : 900423.G100

|                                      |   |  |   |
|--------------------------------------|---|--|---|
| Clamping device size<br>SK9022       | manufacturer product<br>line<br>SPANNTOP nova chuck | Clamping type<br>smooth                  | Nominal diameter<br>(mm)<br>10 Millimeter |
| Clamping method<br>External clamping | Clamping head front<br>nose<br>without              | manufacturer product<br>line<br>Hainbuch |   |

### Clamping head SK9022 D=11,00mm

Product ID : 10567456

Previous product ID : 900423.G110

|                                      |   |  |   |
|--------------------------------------|---|--|---|
| Clamping device size<br>SK9022       | manufacturer product<br>line<br>SPANNTOP nova chuck | Clamping type<br>smooth                  | Nominal diameter<br>(mm)<br>11 Millimeter |
| Clamping method<br>External clamping | Clamping head front<br>nose<br>without              | manufacturer product<br>line<br>Hainbuch |   |

### Clamping head

Product ID : 10926611

Previous product ID : 900423.G120

|                                      |   |  |   |
|--------------------------------------|---|--|---|
| Clamping device size<br>SK9022       | manufacturer product<br>line<br>SPANNTOP nova chuck | Clamping type<br>smooth                  | Nominal diameter<br>(mm)<br>12 Millimeter |
| Clamping method<br>External clamping | Clamping head front<br>nose<br>without              | manufacturer product<br>line<br>Hainbuch |   |

### Clamping head SK9022 D=13,00mm

Product ID : 10512505

Previous product ID : 900423.G130

|                                      |   |  |   |
|--------------------------------------|---|--|---|
| Clamping device size<br>SK9022       | manufacturer product<br>line<br>SPANNTOP nova chuck | Clamping type<br>smooth                  | Nominal diameter<br>(mm)<br>13 Millimeter |
| Clamping method<br>External clamping | Clamping head front<br>nose<br>without              | manufacturer product<br>line<br>Hainbuch |   |

### Clamping head SK9022 D=14,00mm

Product ID : 10523956

Previous product ID : 900423.G140

|                                      |   |  |   |
|--------------------------------------|---|--|---|
| Clamping device size<br>SK9022       | manufacturer product<br>line<br>SPANNTOP nova chuck | Clamping type<br>smooth                  | Nominal diameter<br>(mm)<br>14 Millimeter |
| Clamping method<br>External clamping | Clamping head front<br>nose<br>without              | manufacturer product<br>line<br>Hainbuch |   |

### Clamping head SK9022 D=15,00mm

Product ID : 10149966

Previous product ID : 900423.G150

|                                      |   |  |   |
|--------------------------------------|---|--|---|
| Clamping device size<br>SK9022       | manufacturer product<br>line<br>SPANNTOP nova chuck | Clamping type<br>smooth                  | Nominal diameter<br>(mm)<br>15 Millimeter |
| Clamping method<br>External clamping | Clamping head front<br>nose<br>without              | manufacturer product<br>line<br>Hainbuch |   |

### Clamping head SK9022 D=16,00mm

Product ID : 10088268

Previous product ID : 900423.G160

|                                      |   |  |   |
|--------------------------------------|---|--|---|
| Clamping device size<br>SK9022       | manufacturer product<br>line<br>SPANNTOP nova chuck | Clamping type<br>smooth                  | Nominal diameter<br>(mm)<br>16 Millimeter |
| Clamping method<br>External clamping | Clamping head front<br>nose<br>without              | manufacturer product<br>line<br>Hainbuch |   |

### Clamping head SK9022 D=17,00mm

Product ID : 10477640

Previous product ID : 900423.G170

|                                      |   |  |   |
|--------------------------------------|---|--|---|
| Clamping device size<br>SK9022       | manufacturer product<br>line<br>SPANNTOP nova chuck | Clamping type<br>smooth                  | Nominal diameter<br>(mm)<br>17 Millimeter |
| Clamping method<br>External clamping | Clamping head front<br>nose<br>without              | manufacturer product<br>line<br>Hainbuch |   |

### Clamping head SK9022 D=18,00mm

Product ID : 10241379

Previous product ID : 900423.G180

|                                      |   |  |   |
|--------------------------------------|---|--|---|
| Clamping device size<br>SK9022       | manufacturer product<br>line<br>SPANNTOP nova chuck | Clamping type<br>smooth                  | Nominal diameter<br>(mm)<br>18 Millimeter |
| Clamping method<br>External clamping | Clamping head front<br>nose<br>without              | manufacturer product<br>line<br>Hainbuch |   |

### Clamping head SK9022 D=9,00mm

Product ID : 10402836

Previous product ID : 900423.G090

|                                      |   |  |   |
|--------------------------------------|---|--|---|
| Clamping device size<br>SK9022       | manufacturer product<br>line<br>SPANNTOP nova chuck | Clamping type<br>smooth                  | Nominal diameter<br>(mm)<br>19 Millimeter |
| Clamping method<br>External clamping | Clamping head front<br>nose<br>without              | manufacturer product<br>line<br>Hainbuch |   |

### Clamping head SK9022 D=19,00mm

Product ID : 10233476

Previous product ID : 900423.G190

|                                      |   |  |   |
|--------------------------------------|---|--|---|
| Clamping device size<br>SK9022       | manufacturer product<br>line<br>SPANNTOP nova chuck | Clamping type<br>smooth                  | Nominal diameter<br>(mm)<br>19 Millimeter |
| Clamping method<br>External clamping | Clamping head front<br>nose<br>without              | manufacturer product<br>line<br>Hainbuch |   |

---

### Clamping head SK9022 D=20,00mm

Product ID : 10480551

Previous product ID : 900423.G200

|                                      |   |  |   |
|--------------------------------------|---|--|---|
| Clamping device size<br>SK9022       | manufacturer product<br>line<br>SPANNTOP nova chuck | Clamping type<br>smooth                  | Nominal diameter<br>(mm)<br>20 Millimeter |
| Clamping method<br>External clamping | Clamping head front<br>nose<br>without              | manufacturer product<br>line<br>Hainbuch |   |

### Clamping head SK9022 D=21,00mm

Product ID : 10875104

Previous product ID : 900423.G210

|                                      |   |  |   |
|--------------------------------------|---|--|---|
| Clamping device size<br>SK9022       | manufacturer product<br>line<br>SPANNTOP nova chuck | Clamping type<br>smooth                  | Nominal diameter<br>(mm)<br>21 Millimeter |
| Clamping method<br>External clamping | Clamping head front<br>nose<br>without              | manufacturer product<br>line<br>Hainbuch |   |

### Clamping head

Product ID : 10353682

Previous product ID : 900423.G220

|                                      |   |  |   |
|--------------------------------------|---|--|---|
| Clamping device size<br>SK9022       | manufacturer product<br>line<br>SPANNTOP nova chuck | Clamping type<br>smooth                  | Nominal diameter<br>(mm)<br>22 Millimeter |
| Clamping method<br>External clamping | Clamping head front<br>nose<br>without              | manufacturer product<br>line<br>Hainbuch |   |

### **Spindle liners**

### Socket head screw

Product ID : 10157066

Previous product ID : 410260.0620

---

### **Other accessories**

---

### Fixture

Product ID : 10446800

Previous product ID : 900418.8201

|                                |   |                                      |  |
|--------------------------------|---|--------------------------------------|--|
| Clamping device size<br>SK9022 | manufacturer product<br>line<br>SPANNTOP nova chuck | Clamping method<br>External clamping | manufacturer product<br>line<br>Hainbuch |
|--------------------------------|---|--------------------------------------|--|

### ASSEMBLY TOOL EAW9022ZW

Product ID : 10181964

Previous product ID : 900418.8903

|                                |   |                                      |  |
|--------------------------------|---|--------------------------------------|--|
| Clamping device size<br>SK9022 | manufacturer product<br>line<br>SPANNTOP nova chuck | Clamping method<br>External clamping | manufacturer product<br>line<br>Hainbuch |
|--------------------------------|---|--------------------------------------|--|

### HAINBUCH GREASE 2085/0003

Product ID : 10825733

Previous product ID : 373241.1021

|  |                                      |  |
|--|--------------------------------------|--|
| manufacturer product<br>line<br>SPANNTOP nova chuck<br>• SPANNTOP mini<br>chuck • TOPlus chuck<br>• TOPlus chuck mini<br>• TOPlus chuck with<br>end-stop | Clamping method<br>External clamping | manufacturer product<br>line<br>Hainbuch |
|--|--------------------------------------|--|