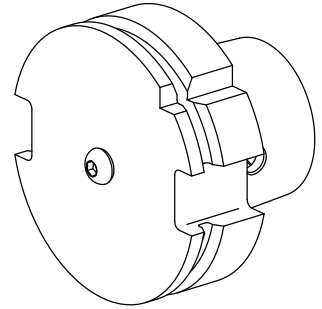

Blanking plug HSK 80 B

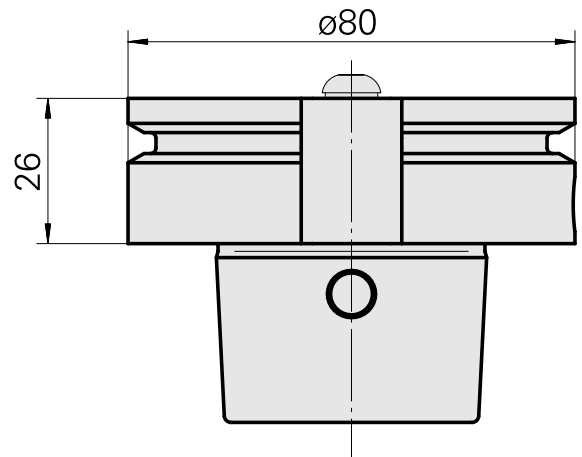
Technical data

Shank HSK	HSK 80
Form HSK	B
X [mm]	26 (1.02")
INDEX TRAUB products	G400



Note

No rotation permitted!



DIN 69893
HSK 80 B



Documents

No downloads available for this product