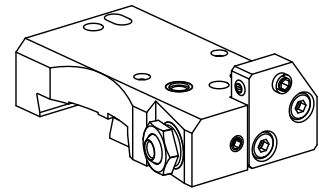


Grooving tool holding block Trapezoid 26

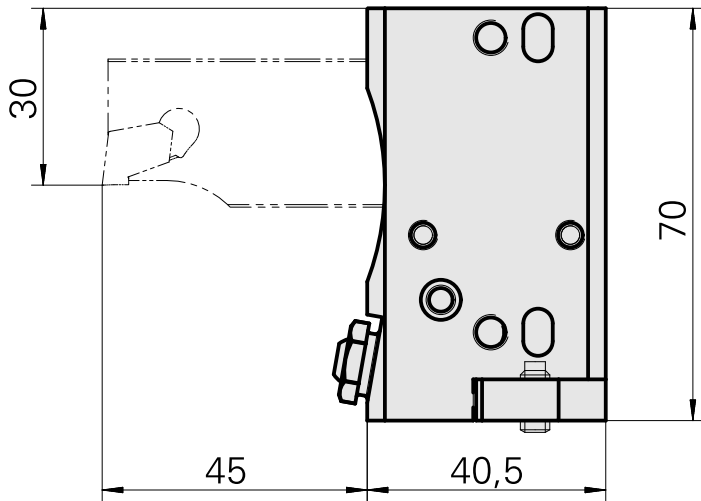
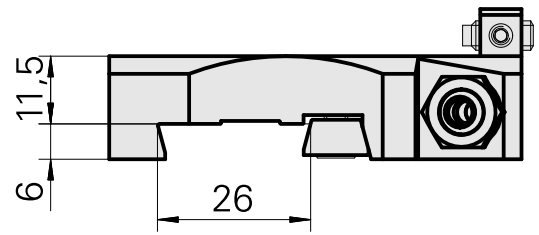
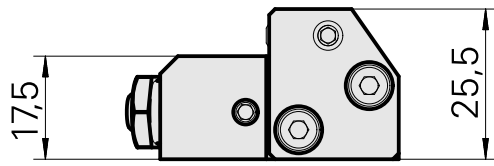
Technical data

| | |
|-----------------------------|----------------------|
| Drive | not live |
| Cooling | external |
| Pressure | 80 bar |
| Direction | right-handed run |
| Mounting | Trapezoid 26x5 |
| X [mm] | 40.5 (1.59") |
| Y [mm] | – |
| Z [mm] | 11.5 (0.45) |
| INDEX TRAUB products | MS16-6 • MS16-6 Plus |



Note

Specially for left cutoff blades!



Documents

No downloads available for this product