

## Centering drill, 60° D44 mm (1.73") for hollow parts

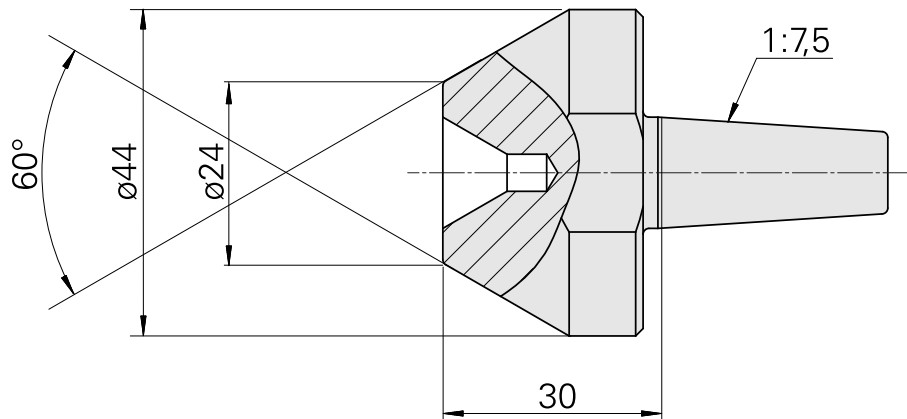
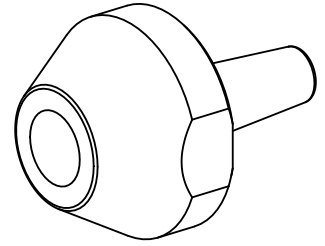
### Technical data

TH accessories category

Center, universal

Mounting

D15.4/Cone 1:7.5



## **Documents**

No downloads available for this product