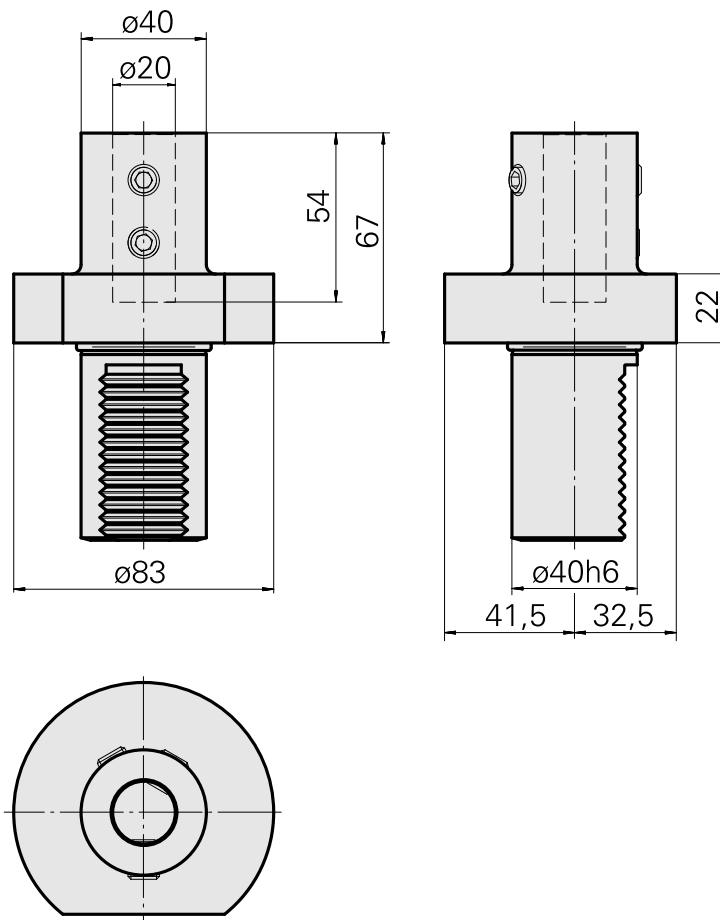


Drilling tool holder VDI 40 DIN 1835 B/E, Form E1

Technical data

| | |
|----------------------|---|
| Shank VDI | VDI 40 |
| Drive | not live |
| Fixation VDI | none |
| Cooling | internal |
| Pressure | 40 bar |
| Mounting | DIN 1835 B/E D20 |
| reversible 180° | no |
| X [mm] | 67 (2.64") |
| Y [mm] | — |
| Z [mm] | — |
| INDEX TRAUB products | V200 • V160C • V160G • V300 • TNA400 • B400 • B500 • TNA500.2 • TNA400.2 • TNA400.3 • B400.3 • B500.3 • TNA500.3 |



Documents

No downloads available for this product

Accessories

Optional accessories

Other accessories

[Mounting sleeve D20](#)

Product ID : 10994732

Previous product ID : W62220.01--

[Mounting sleeve with collar D20](#)

Product ID : 10063939

Previous product ID : W68510.04--
