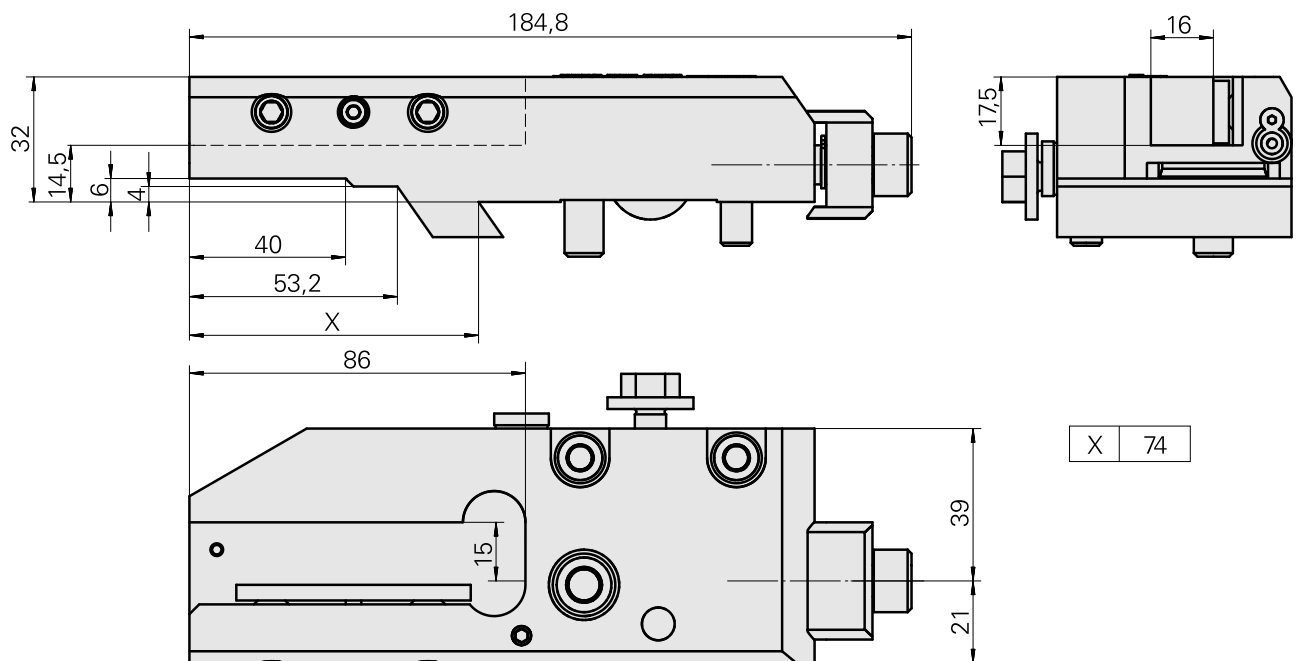
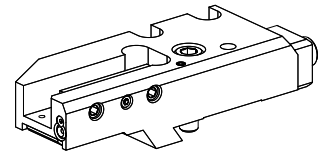


Grooving tool and stop holder MS32/MS40

Technical data

Slide system MS	MS32/MS40
Drive	not live
Fixation MS	Dovetail
Cooling	external
Pressure	20 bar
Direction	right-handed run
Mounting	Square 16x16
X [mm]	74 (2.91")
Y [mm]	–
Z [mm]	14.5 (0.57)
INDEX TRAUB products	MS32C • MS32-6.2 • MS32-6.3 • MS40-6



Documents

No downloads available for this product

Accessories

Required for operation

[Nozzle #61871](#)

Product ID : 10158718

Previous product ID : W00019.0304

Optional accessories

Other accessories

[HEX.SOC.PLUG G1/8-ED VSTI R 1/8-ED 231](#)

Product ID : 10962607

Previous product ID : 410773.0012
