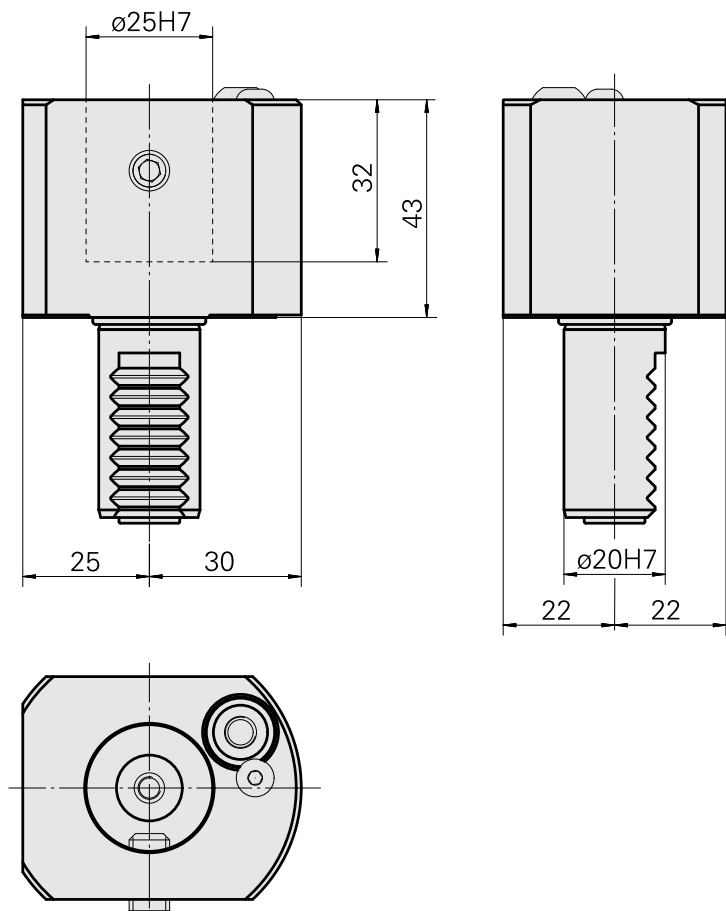
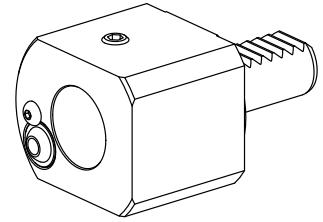


Drilling tool holder VDI 20 D25 (0.98 ")

Technical features

Shank VDI	VDI 20
Drive	not live
Fixation VDI	none
Cooling	external
Pressure	20 bar
Mounting	D25
reversible 180°	no
X [mm]	43 (1.69")
Y [mm]	–
Z [mm]	–
Tool turret type	Radial turret
INDEX TRAUB products	C42/65 • G160 • ABC • C100 • C200 • G200 • G200.2 • G220 • ABC.2



Documents

No downloads available for this product

Accessories

Optional accessories

Other accessories

[Clamping sleeve D25](#)

Product ID : 10877092

Previous product ID : 993125.----

[SPRAY NOZZLE 14D/M6](#)

Product ID : 10358770

Previous product ID : 474550.0121
