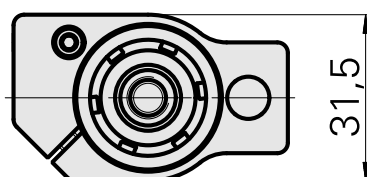
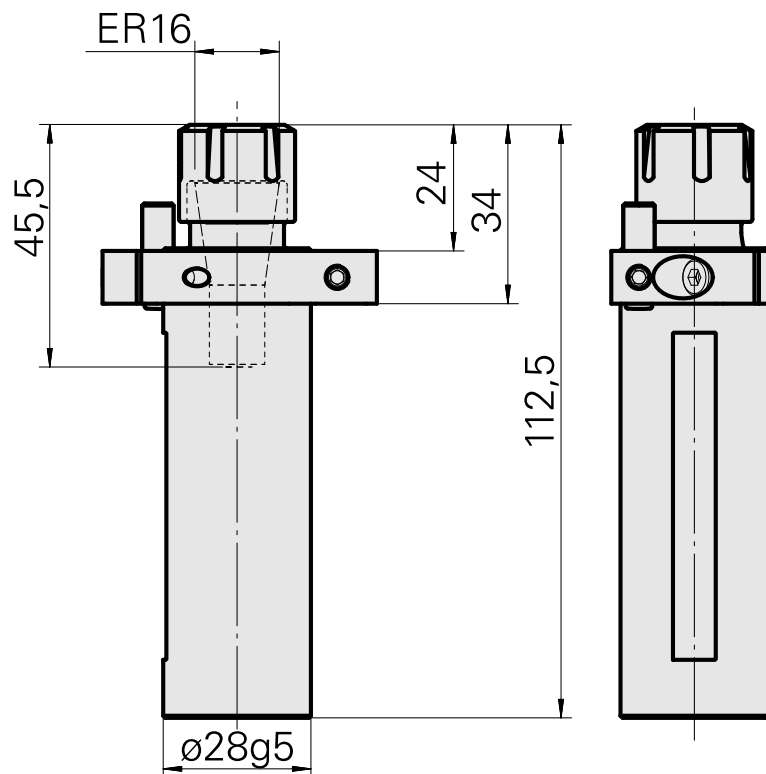
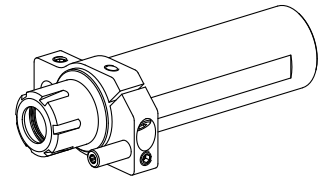


## Drilling tool holder Shank 28 ER16

### Technical data

Shank TNL	Shank 28
Drive	not live
Fixation TNL	Pre-centering pin
Cooling	internal
Pressure	120 bar
Mounting	ER16
X [mm]	-
Y [mm]	-
Z [mm]	34 (1.34)
INDEX TRAUB products	TNL12 • TNL12.2



---

## Documents

No downloads available for this product

## Accessories

Required for operation

### COOLANT TUBE COMPLETE

Product ID : 10255957

Previous product ID : 989156

---

### CL feeder, fixed TNL12.2, Back/front working unit

Product ID : 12063156

Previous product ID :

---

### Spanner 7111.16000

Product ID : 10621809

Previous product ID : 490219.2161

TH accessories category Tool	Mounting ER16	Collet type ER 16	Clamping nut type Female thread diameter reduced
Tools for Collet chucks Clamping nut wrench			

## Optional accessories

### Tool holder accessories

#### Clamping nut

Product ID : 10178506

Previous product ID : 901939.6161

TH accessories category Clamping nut	Mounting ER16	Collet type ER 16	Clamping nut type Female thread diameter reduced
---	------------------	----------------------	---

### Other accessories

10266840  
950506

**INDEX**

---

### Clamping collet

Product ID : 10834596  
Previous product ID : 901930.1---

---

### Clamping collet

Product ID : 10589709  
Previous product ID : W99903--

---

### tapping tool collet ET-1-16

Product ID : 10542491  
Previous product ID : 3230--

---

### tapping tool collet

Product ID : 10865233  
Previous product ID : WZ9990.9506F

---

### Collet chuck

Product ID : 10870393  
Previous product ID : W999065-

---

### Clamping collet, sealed

Product ID : 10433061  
Previous product ID : W999083-

---

### Spanner

Product ID : 12083203  
Previous product ID :

---