

## 3-jaw chuck

### Technical data

**INDEX TRAUB**产品

主轴通孔

加工端

外购生产线

主轴接口

外购生产线

MS40-6 • MS40P

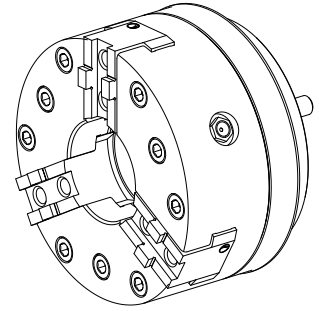
40mm

副主轴

KFD-HS112/3

AP72

Roehm



No 3-side view is currently available for this product

---

## Documents

No downloads available for this product

## Accessories

### Optional accessories

#### Turcon® Glyd Ring®

##### [Shaft packing](#)

Product ID : 10417845

Previous product ID : 479160.0602

manufacturer product line Trelleborg	TSS material no.	Groove base diameter 52.5 Millimeter	Groove width 3.2 Millimeter
Bore diameter [mm] 60 Millimeter	manufacturer product line Turcon® Glyd Ring®		

#### O-Rings

##### [O-RING](#)

Product ID : 10913241

Previous product ID : 479108.0371

manufacturer product line Trelleborg	TSS material no.	Cord size 1.78 Millimeter	manufacturer product line O-ring
---	------------------	------------------------------	-------------------------------------

#### Other accessories

##### [Socket head screw](#)

Product ID : 10997130

Previous product ID : 410260.0820

---

##### [Threaded bush](#)

Product ID : 10551192

Previous product ID : M82011.40

---

10254917  
908127.5281

**INDEX**

---

[Boring fixture](#)

Product ID : 10916716

Previous product ID : 908127.8001

---