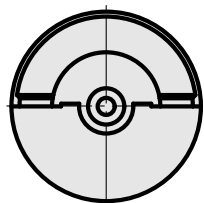
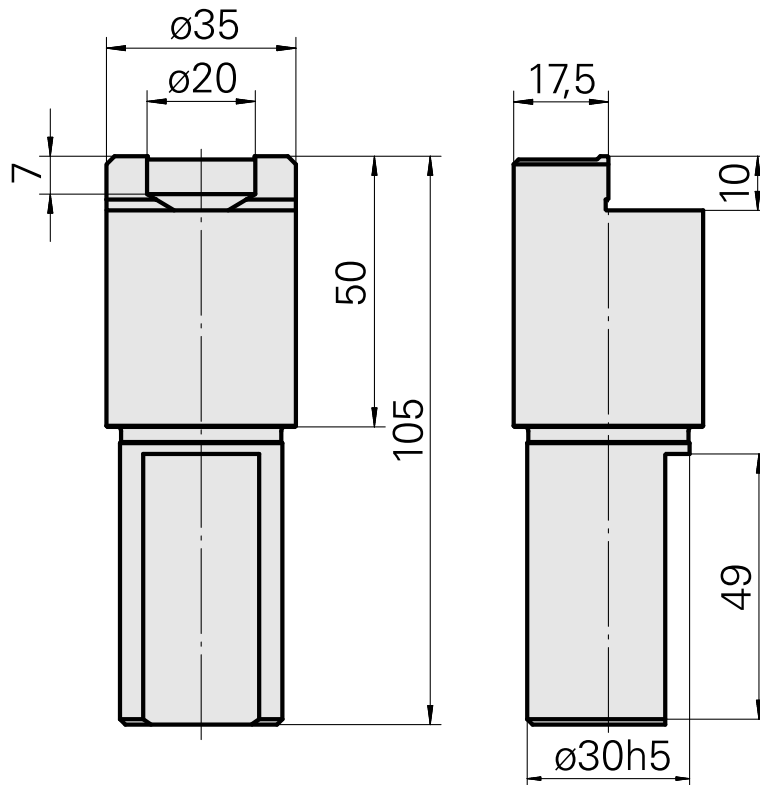
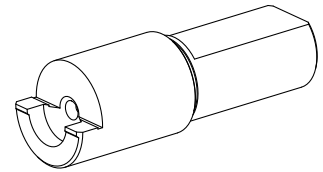


## Calibrating tool VDI 30 D35

### Technical data

Shank VDI	VDI 30
Drive	not live
Fixation VDI	none
Mounting	D35
reversible 180°	no
X [mm]	50 (1.97")
Y [mm]	-
Z [mm]	-
INDEX TRAUB products	V100 • V200 • V160C • V160G • V300



## **Documents**

No downloads available for this product