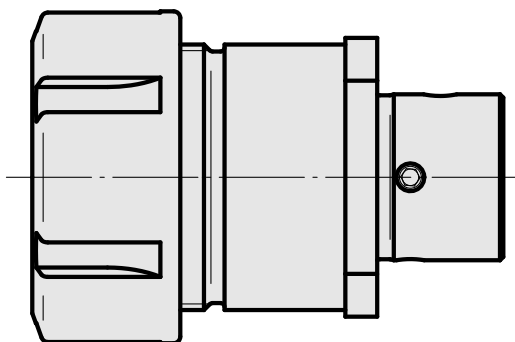
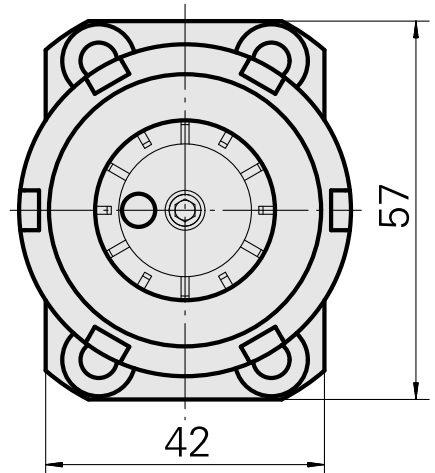
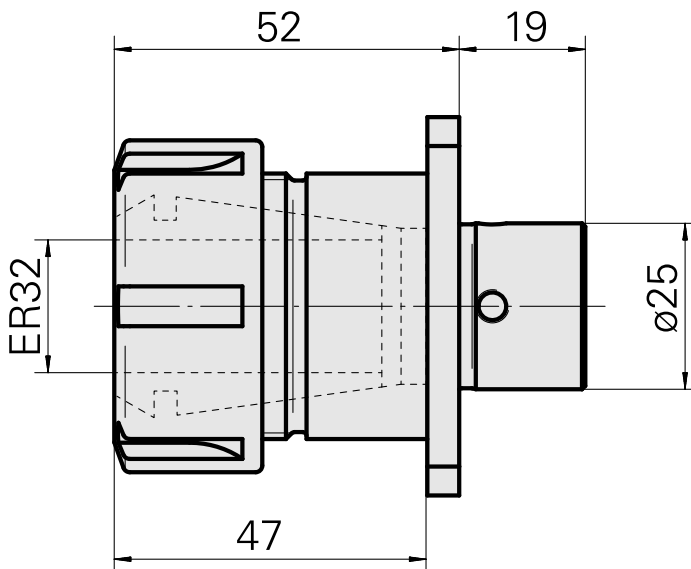
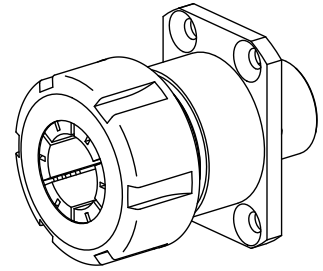


## Mount ER32

### Technical data

Drive	not live
Mounting	ER32
X [mm]	52 (2.05")
Y [mm]	-
Z [mm]	-
INDEX TRAUB products	TNC42/65



---

## Documents

No downloads available for this product

## Accessories

Required for operation

### [Spanner](#)

Product ID : 10181051

Previous product ID : 490219.0321

TH accessories category Tool	Mounting ER32	Collet type ER 32	Clamping nut type Female thread
Tools for Collet chucks Clamping nut wrench			

### Optional accessories

#### Tool holder accessories

### [Clamping nut](#)

Product ID : 10117729

Previous product ID : 901939.0321

TH accessories category Clamping nut	Mounting ER32	Collet type ER 32	Clamping nut type Female thread
---	------------------	----------------------	------------------------------------

#### Other accessories

### [Clamping collet](#)

Product ID : 10187712

Previous product ID : 901930.6---

---

### [tapping tool collet ET-1-32](#)

Product ID : 10640099

Previous product ID : 3242--

---

10236784  
W9990707

**INDEX**

---

[tapping tool collet](#)

Product ID : 10601144  
Previous product ID : WZ9990.9509F

---

[Collet chuck](#)

Product ID : 10659178  
Previous product ID : W999068-

---