

Adaptor

Technical data

TH accessories category

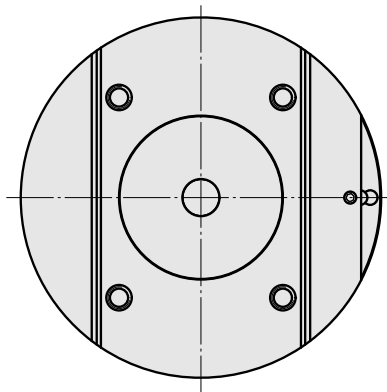
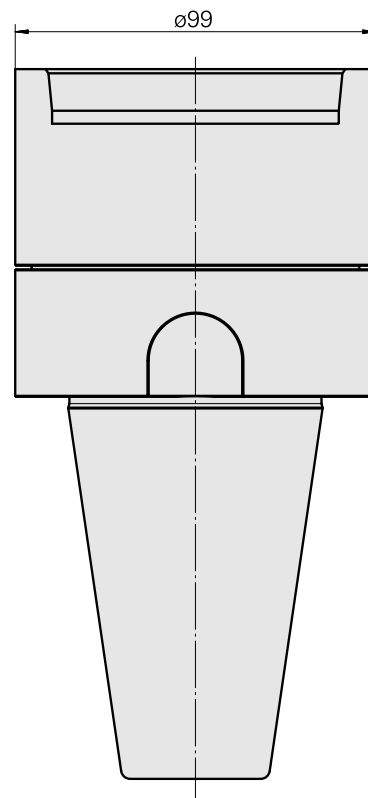
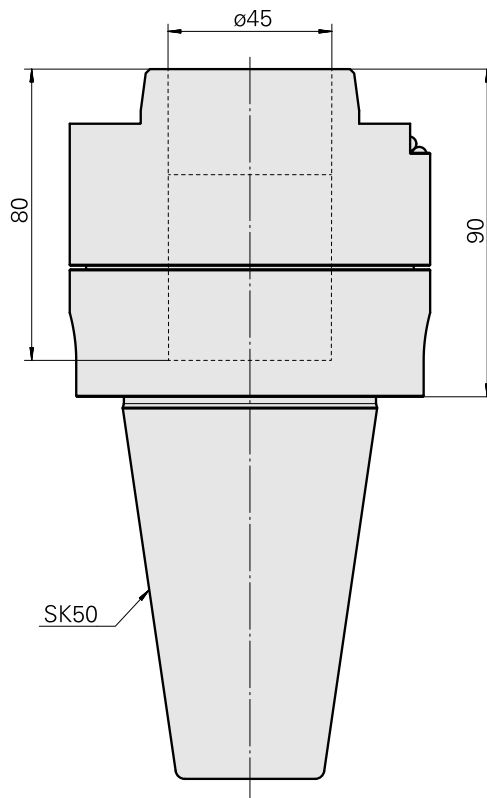
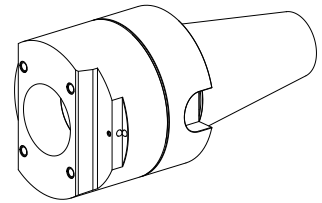
Adapter for presetting units

Mounting

SK50

Tool mounting

Compact shank 45



Documents

No downloads available for this product