

## Adaptor

### Technical data

TH accessories category

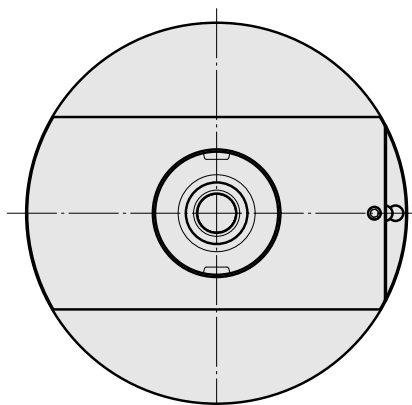
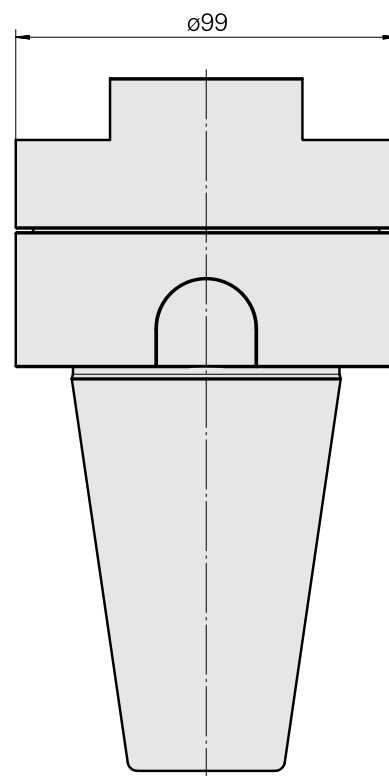
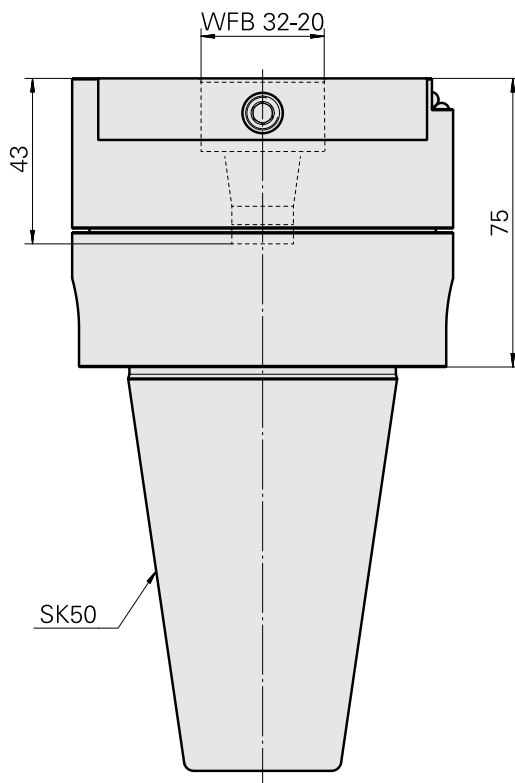
Adapter for presetting units

Mounting

SK50

Tool mounting

WFB 32-20



## **Documents**

No downloads available for this product