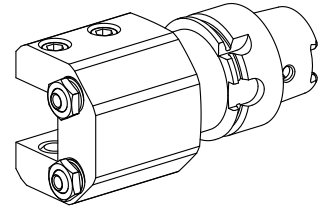


Turning tool holder HSK 40 T square 20x2

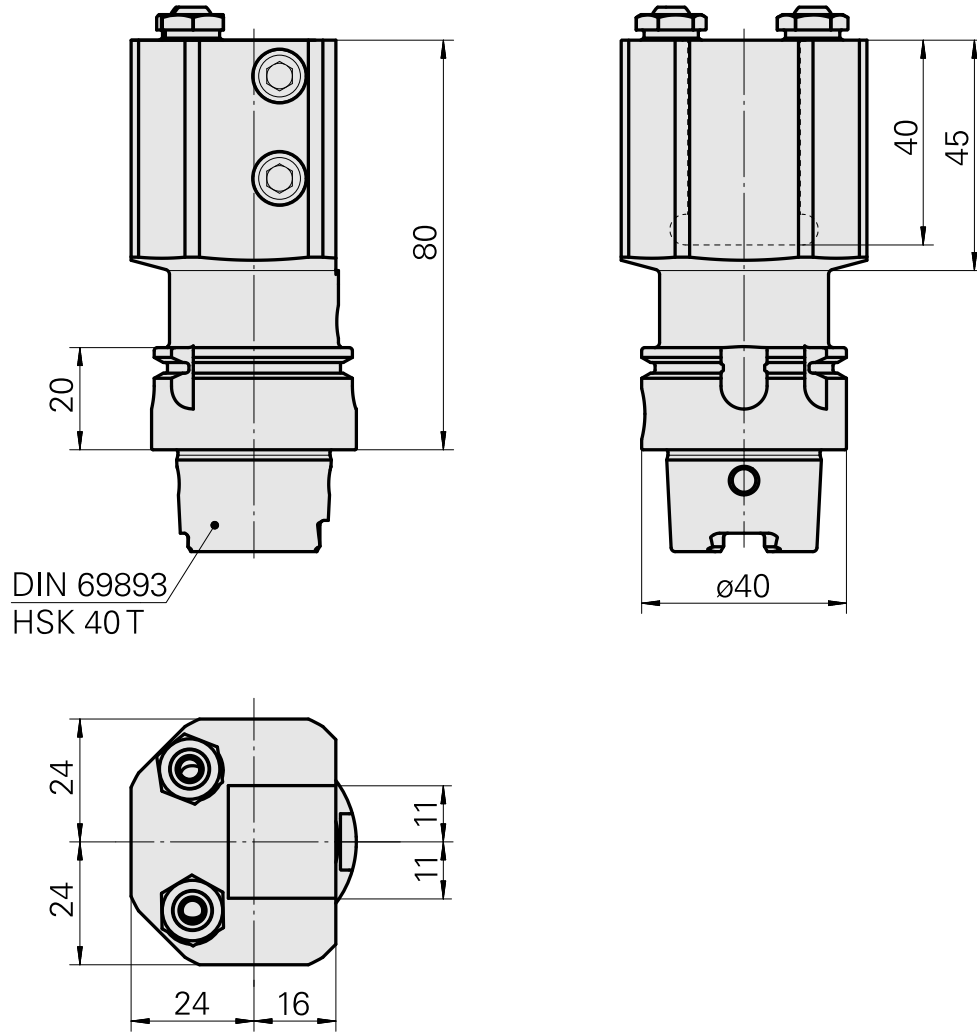
Technical data

Shank HSK	HSK 40
Form HSK	T
Mounting	Square 20x20
Cooling	external
Pressure	80 bar
X [mm]	80 (3.15")
Z [mm]	16 (0.63)
INDEX TRAUB products	G220.3 • G220 • R200 • TNX65/42 • TNX220.3



Note

Not suitable for INDEX G160, G250 and G400! Adjacent stations in the tool magazine can only be used to a limited extent!



Documents

No downloads available for this product

Accessories

Required for operation

[Socket wrench](#)

Product ID : 10532354

Previous product ID : WS7400.0010

TH accessories
category
Tool for KSS adapter

Mounting
HSK 40 A/C

Optional accessories

Tool holder accessories

[Coolant adapter kit](#)

Product ID : 10581780

Previous product ID : WS7400.0020

TH accessories
category
Cooling lubricant
transfer set

Mounting
HSK 40 A/C

[Coolant supply, max. 120 bar](#)

Product ID : 12024083

Previous product ID :

TH accessories
category
Cooling lubricant
transfer set

Mounting
HSK 40 A/C

[Tube, L=100 mm \(3.93"\)](#)

Product ID : 10303677
Previous product ID : W9990910

TH accessories category Cooling lubricant tube	Mounting M5
--	----------------

[Angle, height 8 mm \(0.31"\), width 8 mm \(0.31"\)](#)

Product ID : 10271441
Previous product ID : W63300.0010

TH accessories category Compensation bracket	Mounting Square 20x20
--	--------------------------

[Angle, Height 4 mm, Width 4 mm](#)

Product ID : 10135472
Previous product ID : W63300.0020

TH accessories category Compensation bracket	Mounting Square 20x20
--	--------------------------

Other accessories

[Bush 4x8x12](#)

Product ID : 10831938
Previous product ID : W02010.0002

[Hollow screw M12x1](#)

Product ID : 10757766
Previous product ID : W02013.0001

[Ball nozzle D8xM5](#)

Product ID : 10392450
Previous product ID : W02019.0002

10183544
W2350013

INDEX

[Nozzle Kugel-D8](#)

Product ID : 10007891

Previous product ID : 904837
