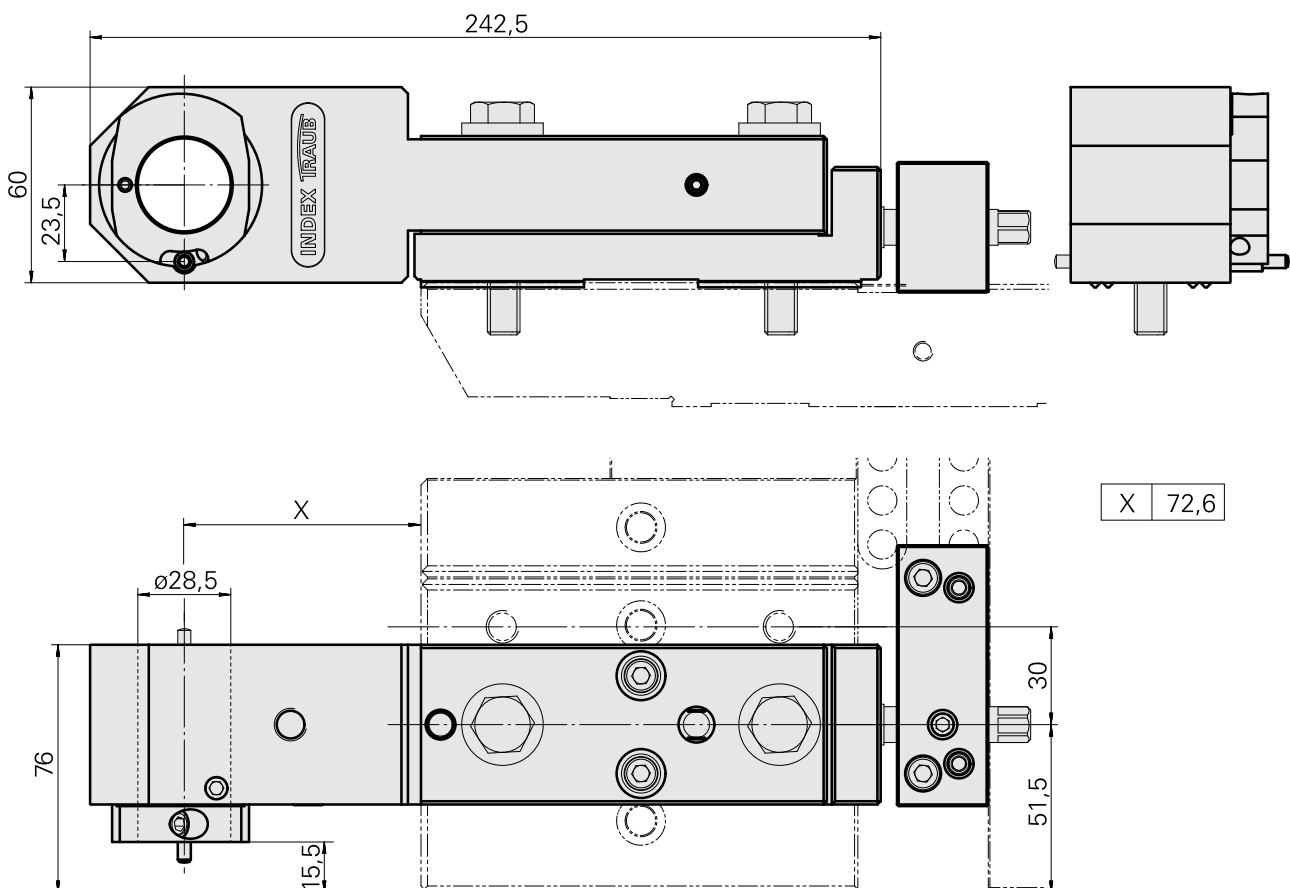
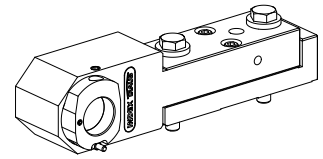


Basic holder MS16 drilling slide Hydraul

Technical data

Slide system MS	MS16 drilling slide
Drive	not live
Fixation MS	W serration
Mounting	Hydraulic expan. Chuck D28.5
X [mm]	72.5 (2.85")
Y [mm]	-
Z [mm]	-
INDEX TRAUB products	MS16-6 • MS16-6 Plus



Documents

Product notes

[FR \(pdf\)](#)

[DE \(pdf\)](#)

[EN \(pdf\)](#)

[DE \(pdf\)](#)

[EN \(pdf\)](#)

[FR \(pdf\)](#)

Accessories

Optional accessories

MS tool holders

[Blanking plug](#)

Product ID : 12013851

Previous product ID :

Drive not live	Fixation MS Clamping ring D28.5	X [mm] -	Y [mm] -
Z [mm] -			

[Calibrating tool](#)

Product ID : 12088616

Previous product ID :

Drive not live	Fixation MS Clamping ring D28.5	X [mm] -	Y [mm] -
Z [mm] -	INDEX TRAUB products MS24-6 • MS16-6 • MS16-6 Plus • MS22-6 • MS22-8		

Other accessories

10156937
W5150004

INDEX

Stop

Product ID : 10685423
Previous product ID : W9991106

Not defined Standard MS22

Product ID : 10132929
Previous product ID : WM3100.3150F
