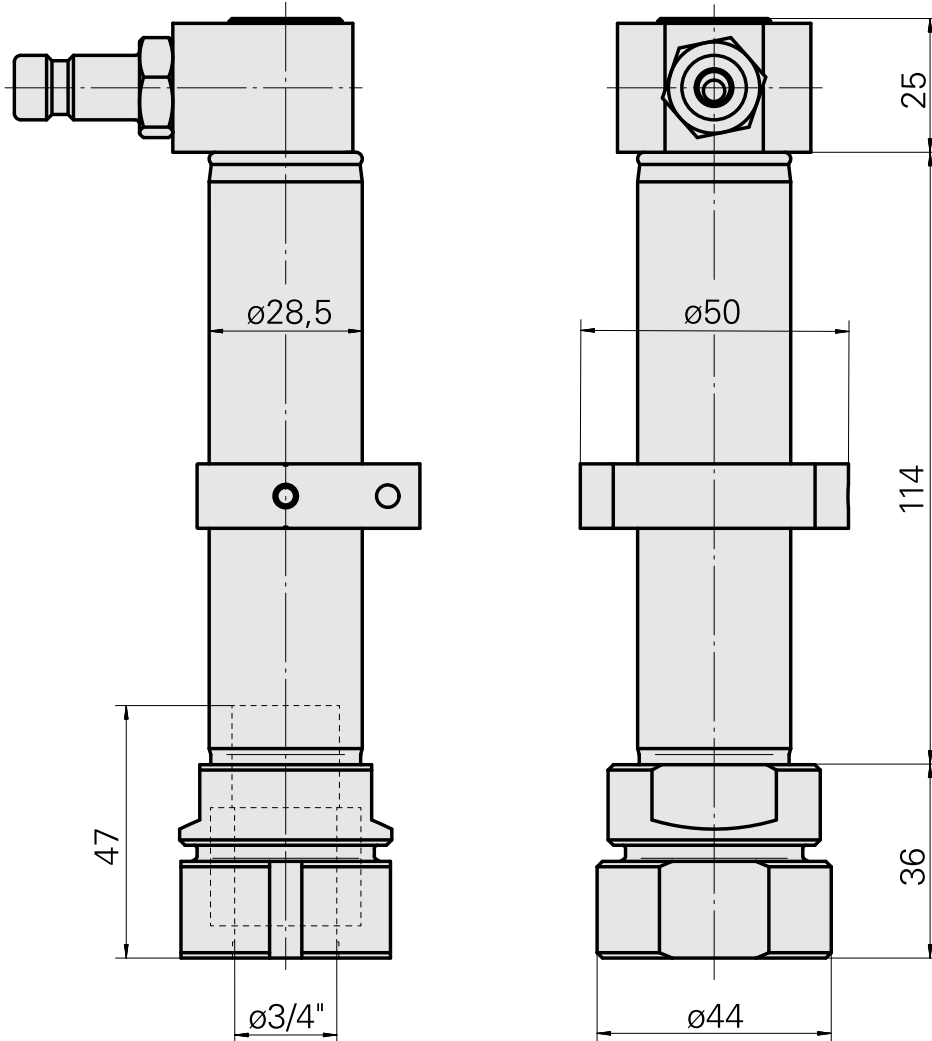
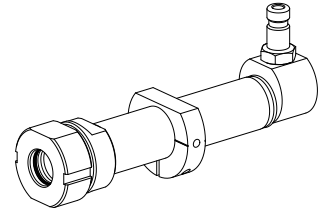


## Compensation holder

### Technical data

Drive	not live
Fixation MS	Clamping ring D28.5
Cooling	internal
Pressure	80 bar
Mounting	D3/4"
X [mm]	-
Y [mm]	-
Z [mm]	-
INDEX TRAUB products	MS16-6 • MS22-6 • MS22-8 • MS24-6 • MS16-6 Plus



## **Documents**

No downloads available for this product

## **Accessories**

Optional accessories

### **Other accessories**

[QUICK COUPLING SP-006-0-WR513-11-2 Serie LP](#)

Product ID : 10837142

Previous product ID : 474940.0112

---