

Mount

Technical data

TH accessories category

Probe holder

Mounting

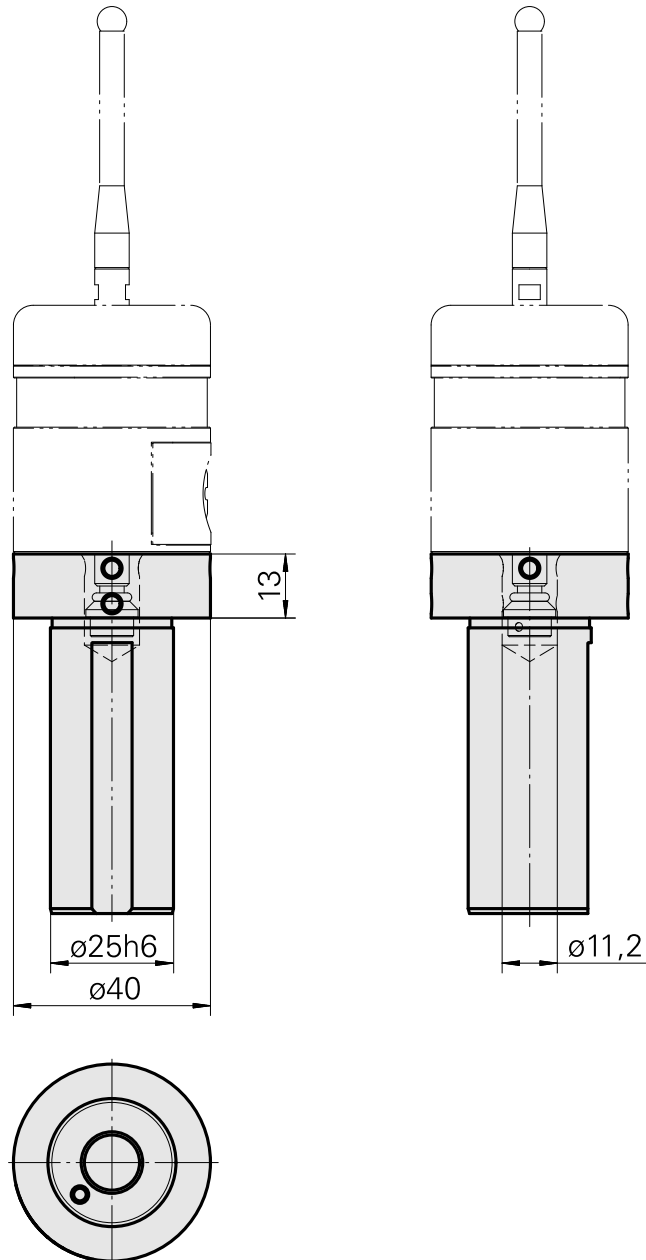
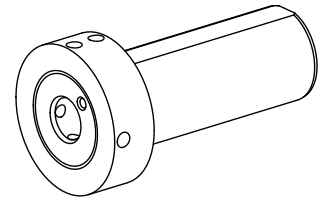
D25

Tool mounting

Renishaw D11,2

Electrical assemblies

Measuring system



Documents

No downloads available for this product

Accessories

Required for operation

Not defined

Product ID : 12133465

Previous product ID :

Push-button insert

Product ID : 12133466

Previous product ID :

Probe

Product ID : 10338967

Previous product ID : 487542.1441

Optional accessories

Other accessories

Case A-2033-7001

Product ID : 10259626

Previous product ID : 487542.0911
