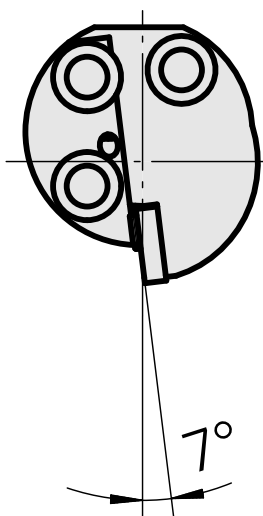
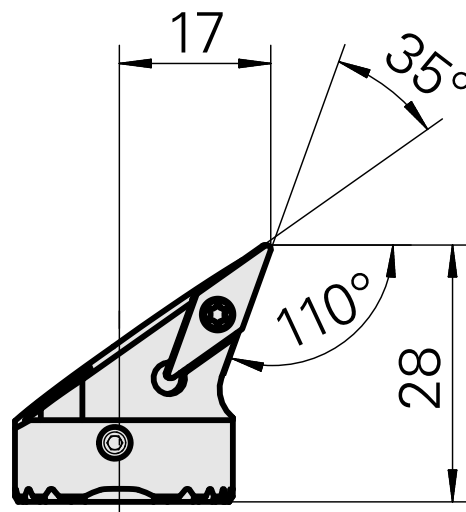
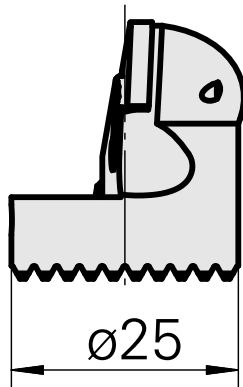
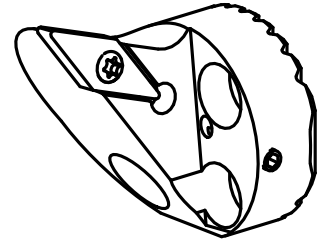


Boring head for VC.. 1103..

Technical data

Mounting	for VC.. 1103..
Cooling	internal
Pressure	50 bar
X [mm]	28 (1.10")
Z [mm]	17 (0.67)



Documents

No downloads available for this product

Accessories

Optional accessories

Other accessories

[Clamping screw 215987](#)

Product ID : 10039401

Previous product ID : W00013.0047
