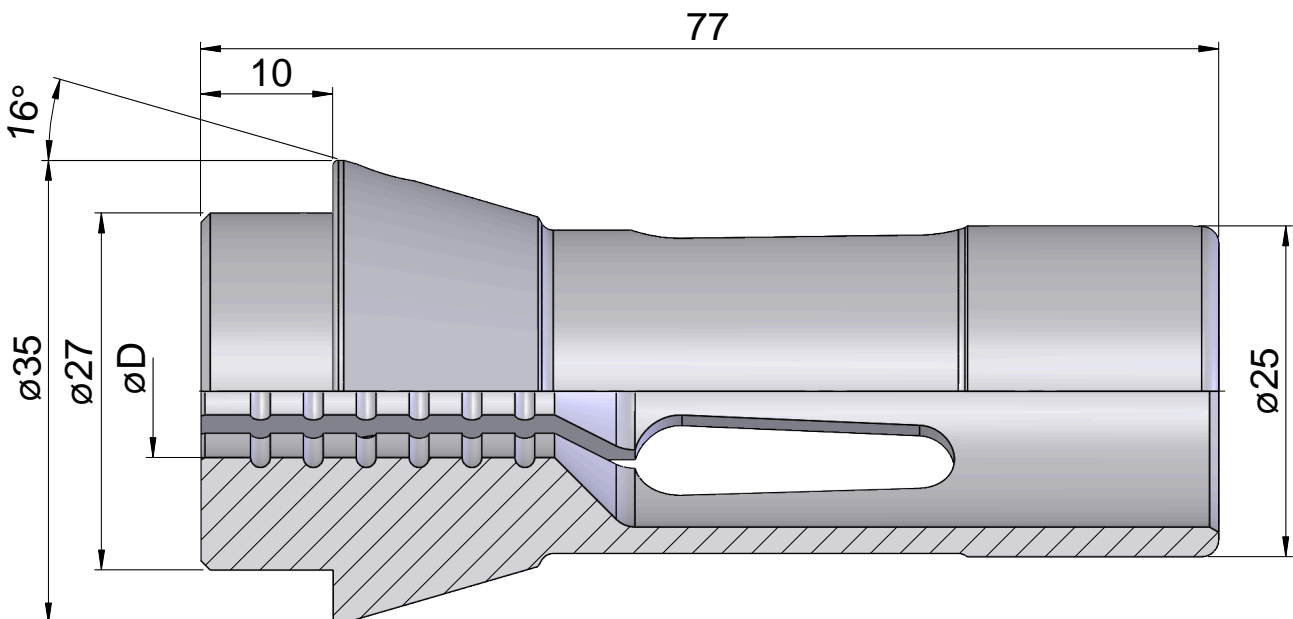
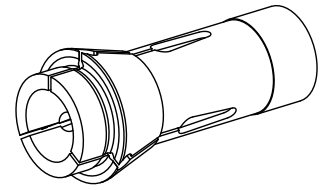


Clamping collet 145E/F25 Ø=13,00

Technical features

Clamping device size	145E/F25
Ext. manufacturer product line	
Clamping type	grooved
Nominal diameter (mm)	13 Millimeter
Clamping method	External clamping
Collet version	Slots vulcanized (standard)
Ext. manufacturer product line	Schlenker



Documents

No downloads available for this product