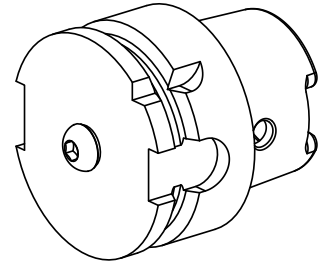


Blanking plug HSK 50 A

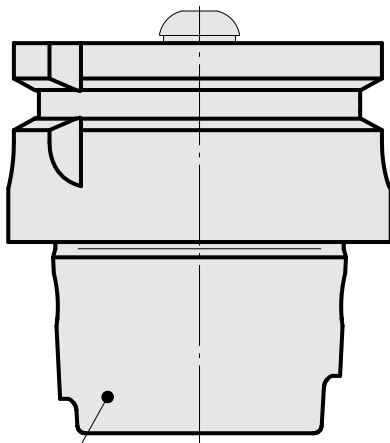
Technical data

Shank HSK	HSK 50
Form HSK	A
X [mm]	26 (1.02")
INDEX TRAUB products	G250

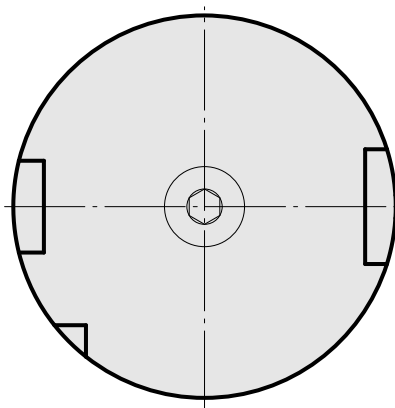
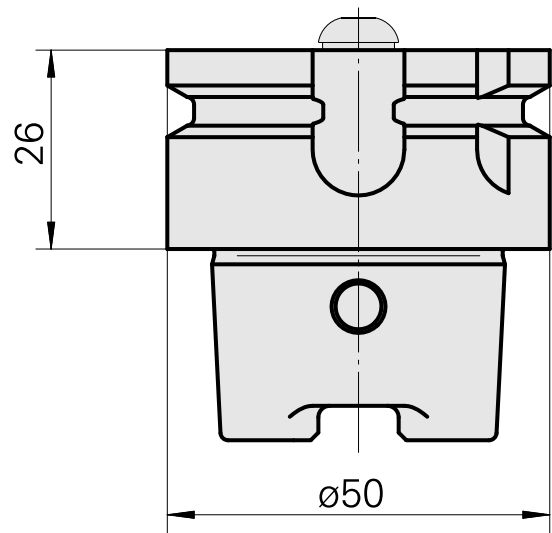


Note

No rotation permitted!



DIN 69893
HSK 50 A



Documents

No downloads available for this product

Accessories

Required for operation

[Socket wrench](#)

Product ID : 11033867

Previous product ID : WS7600.0010

TH accessories
category
Tool for KSS adapter

Mounting
HSK 50 C

Optional accessories

Tool holder accessories

[Coolant adapter kit](#)

Product ID : 10851451

Previous product ID : WS7600.0020

TH accessories
category
Cooling lubricant
transfer set

Mounting
HSK 50 C