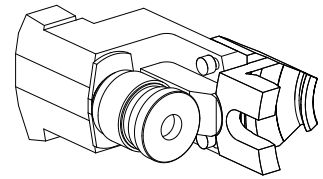


Thread whirling attachment

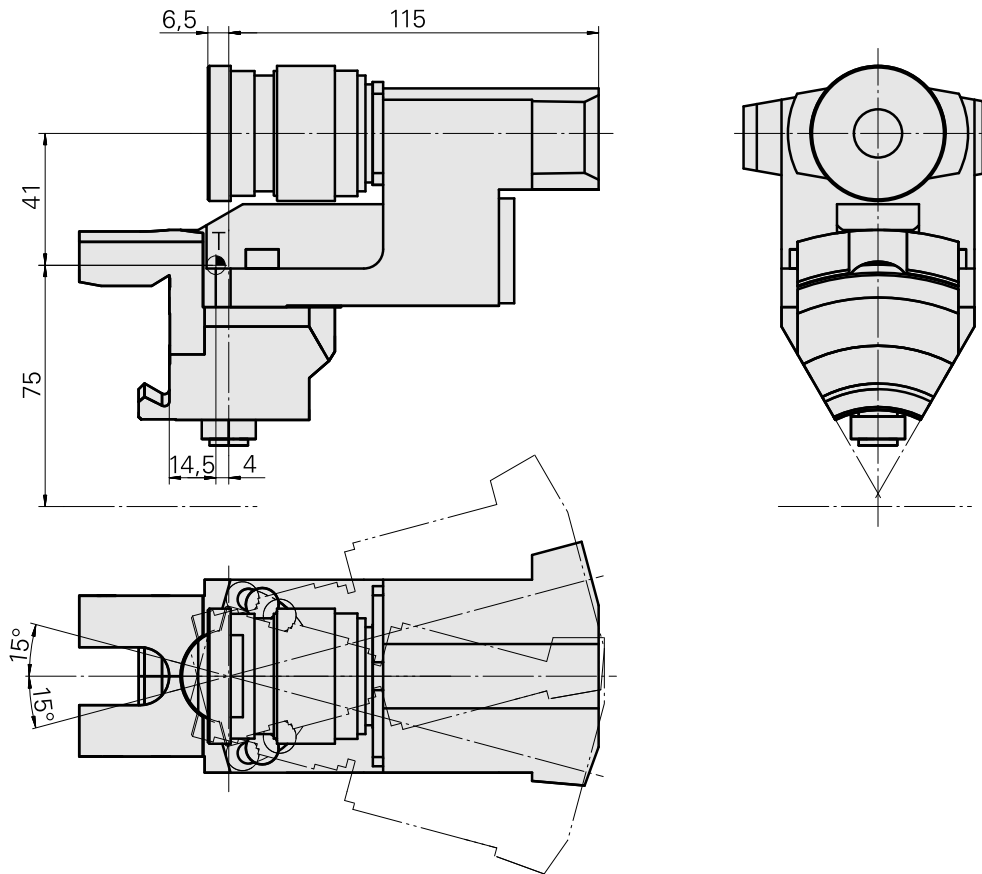
Technical data

Shank TNL	Circular prism
Drive	Spur gear TRAUB TNL12
Fixation TNL	Central tensioning screw
Speed ratio	1:1,53
Cooling	internal
Pressure	30 bar
reversible 180°	no
Direction	opposite to drive direction
X [mm]	41 (1.61")
Y [mm]	–
Z [mm]	2.5 (0.01)
INDEX TRAUB products	TNL12 • TNL12.2



Note

The machine requires the "Cooling lubricant and lock-out air supply" option (part number 10864730/TNL12, 12139396/TNL12.2). Adjacent stations can only be used to a limited extent!



Documents

No downloads available for this product

Accessories

Optional accessories

Other accessories

[Flemmring](#)

Product ID : 10178083

Previous product ID : 835256

[Bolt](#)

Product ID : 10175866

Previous product ID : 835257
