

Saw blade, circular saw blade width 0.8 mm (0.031")

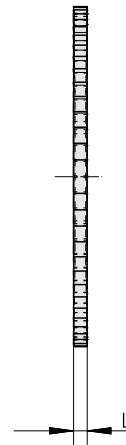
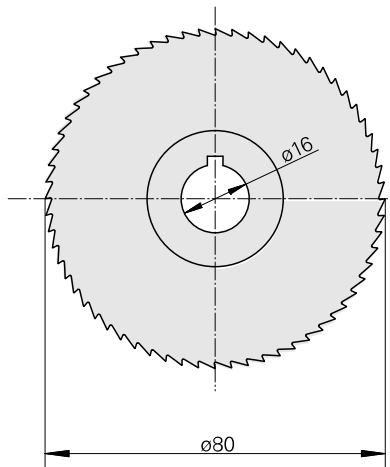
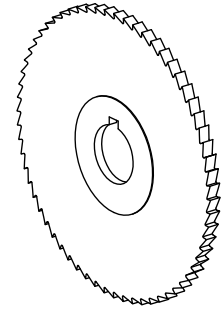
Technical features

TH accessories category

Circular saw blade d80

Tool mounting

16 mm



10062594
223011.8008

INDEX

Documents

No downloads available for this product