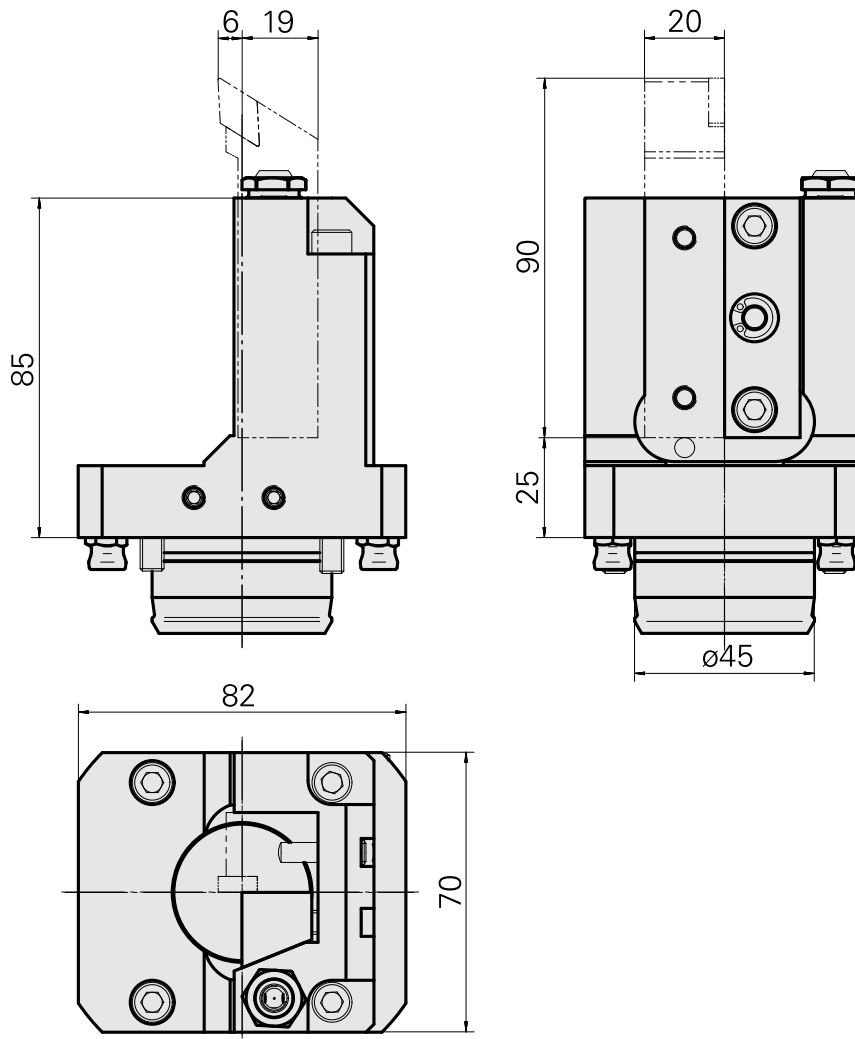
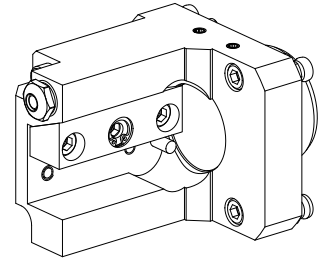


Turning tool holder KPS 45 square 20x20

Technical features

Shank KPS	KPS 45
Drive	not live
Cooling	external
Mounting	square 20x20
Pressure	80 bar
X [mm]	85 (3.35")
Y [mm]	-
Z [mm]	-19 (-0.75)
INDEX TRAUB products	TNL18 • TNL20 • TNL32-11 • TNL32 • TNL32 compact



Documents

No downloads available for this product

Accessories

Optional accessories

Tool holder accessories

[Coolant tube, L=100 mm \(3.93"\)](#)

Product ID : 10346684

Previous product ID : W9990559

TH accessories
category
Cooling lubricant tube

Mounting
M6

Other accessories

[Coolant Nozzle](#)

Product ID : 11031912

Previous product ID : W67500.3208

[BUSHING 10 D x 6 D x 12,5](#)

Product ID : 10670360

Previous product ID : W67530.0824

[HOLLOW SCREW M14x1](#)

Product ID : 10105238

Previous product ID : W67530.0818

[Nozzle M6 mit D1,6](#)

Product ID : 10147428

Previous product ID : W00019.0216
