

## 3-jaw chuck

### Technical data

**INDEX TRAUB products**

MS40-6 • MS40P • MS40-8

**Spindle clearance**

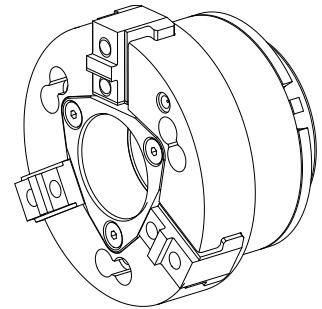
40mm

**Machining side**

Main spindle

**Spindle mounting**

AP72



No 3-side view is currently available for this product

---

## Documents

No downloads available for this product

## Accessories

Optional accessories

### Other accessories

#### [Mounting jaws für 908127.3121](#)

Product ID : 10182907

Previous product ID : 498121.0471

---

#### [Socket head screw](#)

Product ID : 10981842

Previous product ID : 410260.0660

---

#### [Socket head screw](#)

Product ID : 10997130

Previous product ID : 410260.0820

---

#### [SOCKET HD.SCREW 8X20](#)

Product ID : 10852917

Previous product ID : 410270.0820

---

#### [Boring fixture für 908127.3121](#)

Product ID : 10048156

Previous product ID : 908127.8091

---