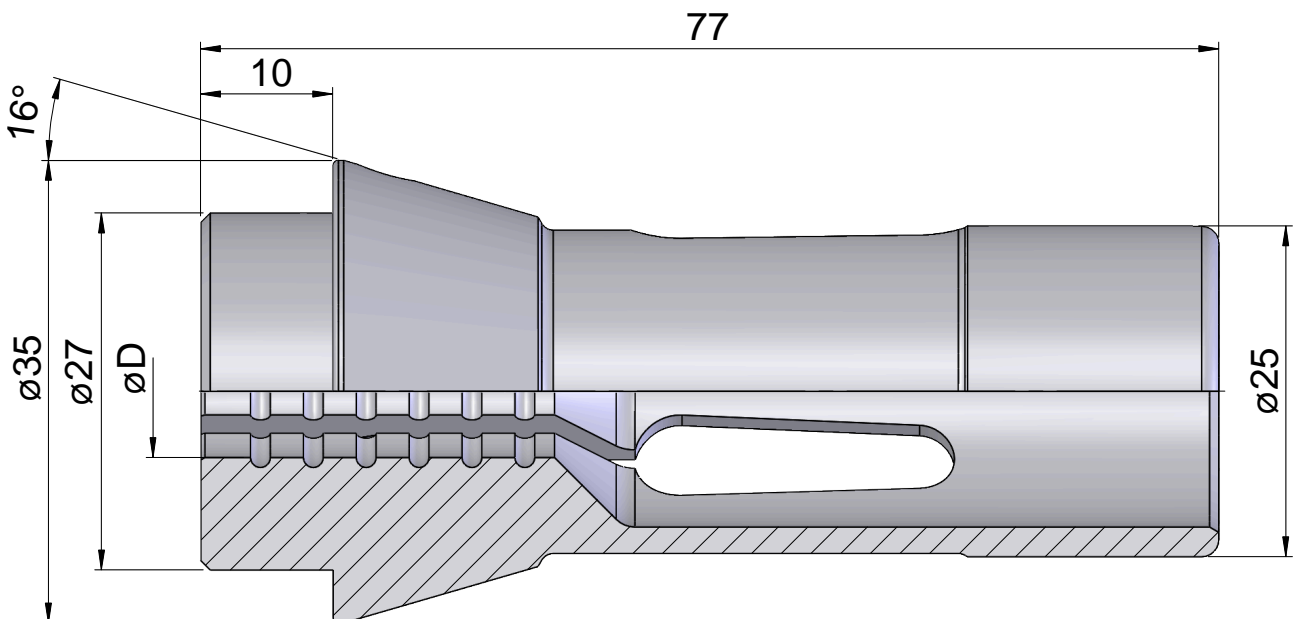
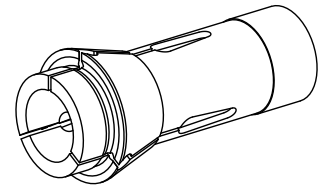


## Clamping collet 145E/F25 Ø=20,00

### Technical features

Clamping device size	145E/F25
Ext. manufacturer product line	
Clamping type	smooth
Nominal diameter (mm)	20 Millimeter
Clamping method	External clamping
Collet version	Slots vulcanized (standard)
Ext. manufacturer product line	Schlenker



## **Documents**

No downloads available for this product