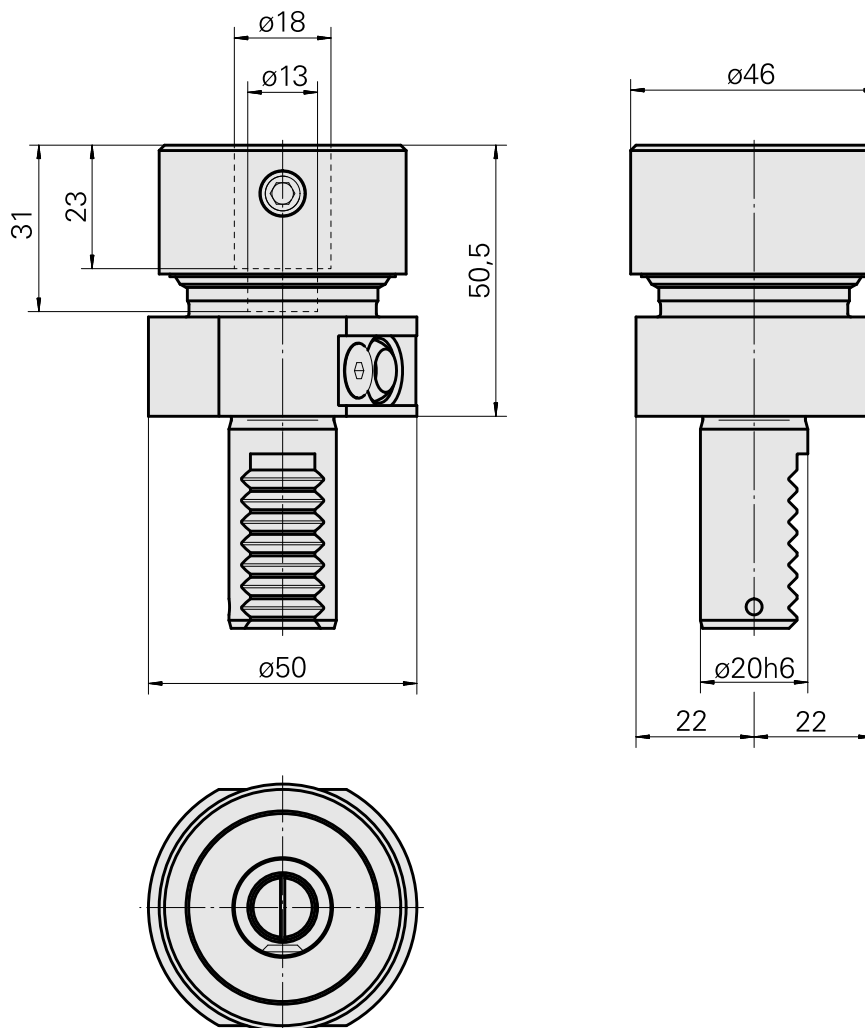
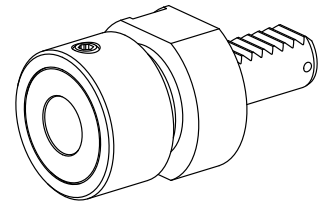


## Tapping tool holder VDI 20 D18 (0.71 ")

### Technical data

Shank VDI	VDI 20
Drive	not live
Fixation VDI	none
Cooling	external
Pressure	20 bar
Mounting	D18
reversible 180°	no
X [mm]	50.5 (1.99")
Y [mm]	-
Z [mm]	-



## **Documents**

No downloads available for this product

## **Accessories**

Optional accessories

**Other accessories**

[Clamping sleeve D18](#)

Product ID : 10677907

Previous product ID : 993118.----

---