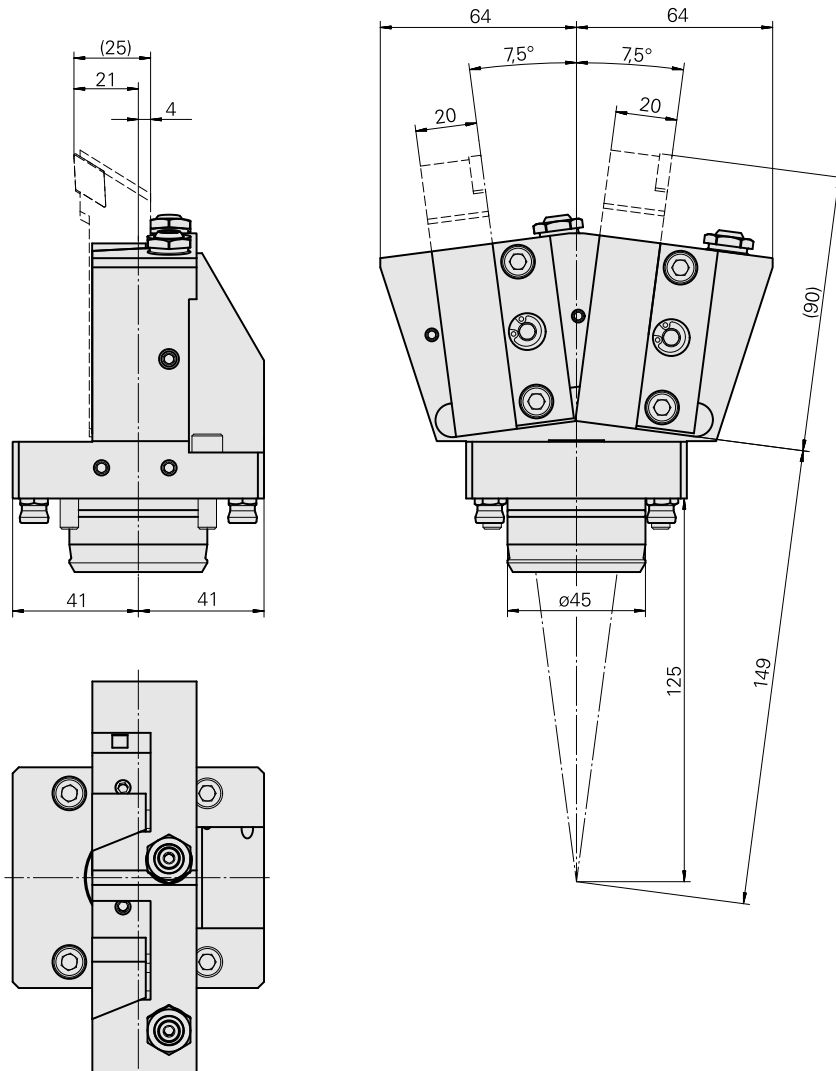


Turning tool holder KPS 45 square 20x20, double

Technical data

Shank KPS	KPS 45
Drive	not live
Cooling	external and internal
Mounting	Square 20x20
Pressure	80 bar
X [mm]	–
Y [mm]	±7.5°
Z [mm]	4 (0.16)
INDEX TRAUB products	ABC65 • TNK42/65 • TNL32 • TNL32-11



Documents

No downloads available for this product

Accessories

Optional accessories

Other accessories

[HOLLOW SCREW M14x1 M14x1](#)

Product ID : 10105238

Previous product ID : W67530.0818

[BUSHING 10 D x 6 D x 12,5](#)

Product ID : 10670360

Previous product ID : W67530.0824

[Coolant Nozzle](#)

Product ID : 11031912

Previous product ID : W67500.3208
