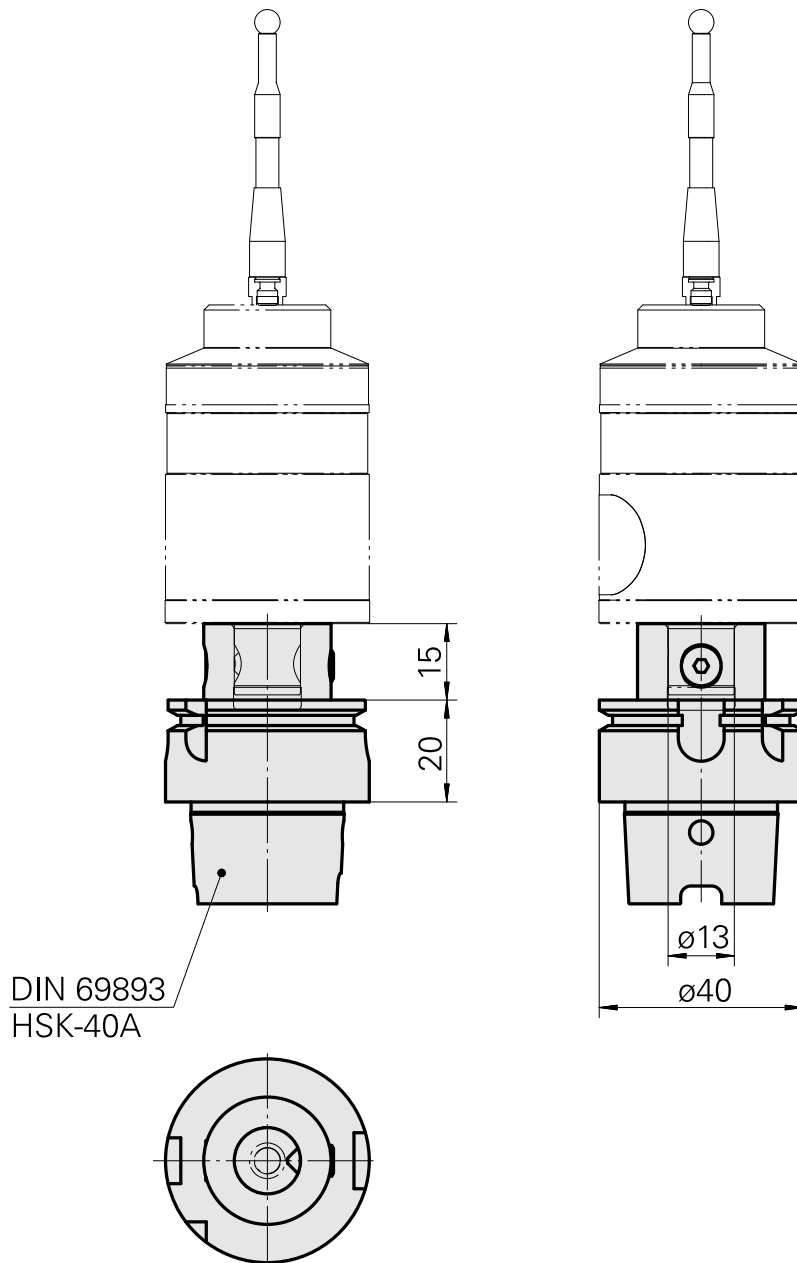
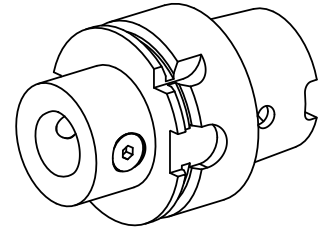


## Probe holder HSK 40 A Blum

### Technical data

Shank HSK	HSK 40
Form HSK	A
Mounting	Blum
X [mm]	35 (1.38")



---

## Documents

No downloads available for this product

## Accessories

Required for operation

### Not defined

Product ID : 12133362

Previous product ID :

---

### Not defined

Product ID : 12133363

Previous product ID :

---

## Optional accessories

### Tool holder accessories

#### Coolant adapter kit

Product ID : 10581780

Previous product ID : WS7400.0020

TH accessories  
category  
Cooling lubricant  
transfer set

Mounting  
HSK 40 A/C

#### Socket wrench

Product ID : 10532354

Previous product ID : WS7400.0010

TH accessories  
category  
Tool for KSS adapter

Mounting  
HSK 40 A/C

### Other accessories

Chip Protection

Product ID : 12007557

Previous product ID :

---