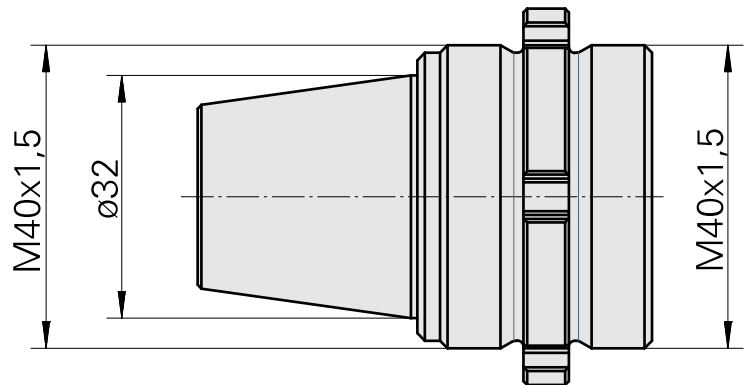
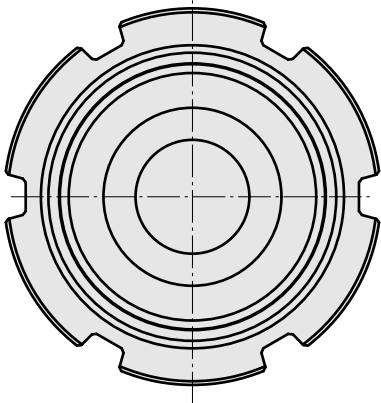
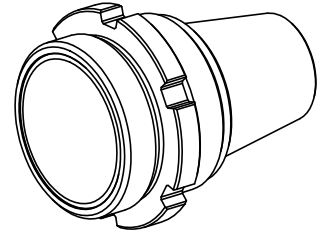


## Adaptor ER32

### Technical data

There are currently no additional technical features stored for this product



## **Documents**

No downloads available for this product