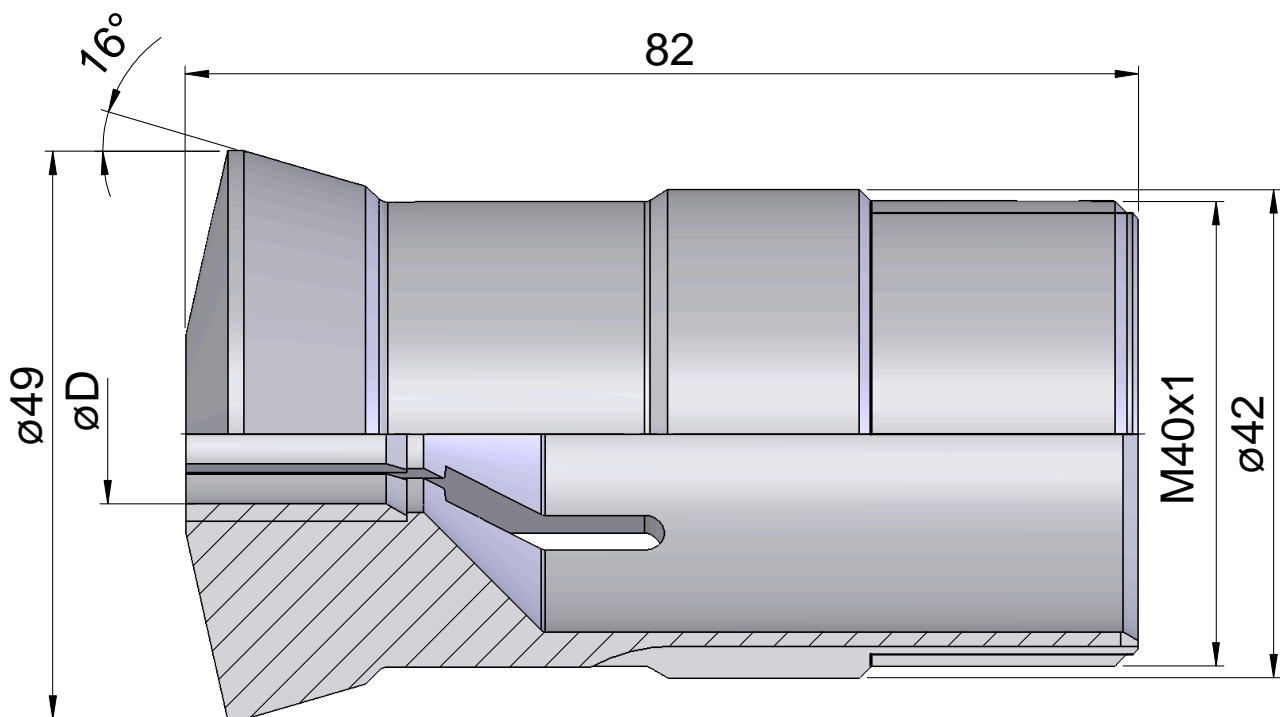
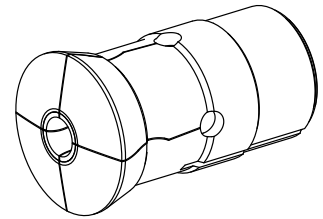


## Bussola di guida T229 Ø=18,00

### Technical data

Clamping device size	T229
manufacturer product line	
Clamping type	with carbide insert
Nominal diameter (mm)	18 Millimeter
Clamping method	External clamping
Collet design	adjustable
Collet version	S-slot
manufacturer product line	Schlenker



## **Documents**

No downloads available for this product