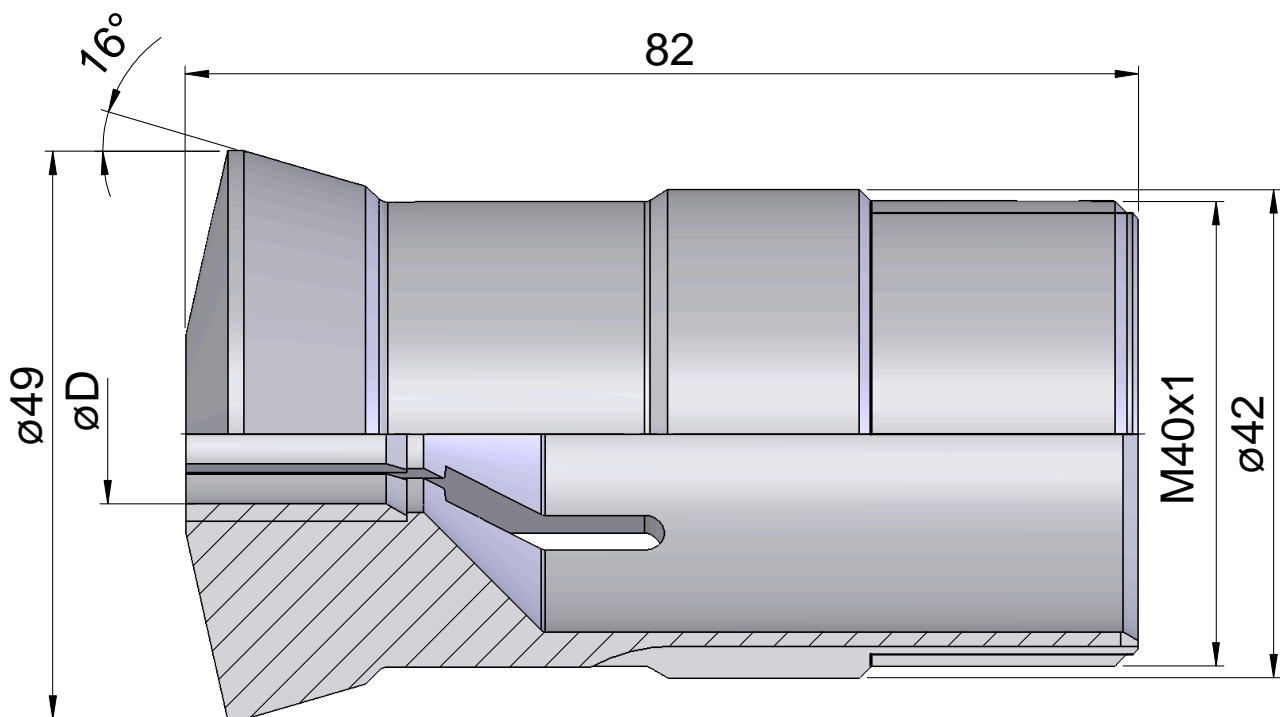
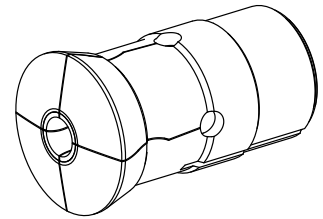


Guide bush T229 $\text{\O} = 11,00$

Technical data

Clamping device size	T229
manufacturer product line	
Clamping type	with carbide insert
Nominal diameter (mm)	11 Millimeter
Clamping method	External clamping
Collet design	adjustable
Collet version	S-slot
manufacturer product line	Schlenker



Documents

No downloads available for this product