

3-jaw chuck

Technical data

INDEX TRAUB products

B400 • TNA400.2 • B400.3 •
TNA400.3

Spindle clearance

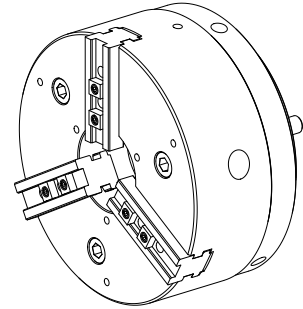
82mm

Machining side

Main spindle

Spindle mounting

KK 8



No 3-side view is currently available for this product

Documents

No downloads available for this product